

KGFC350/500

**Caterpillar-tracked Auxiliary Machinery for Mountain Area
Part List**

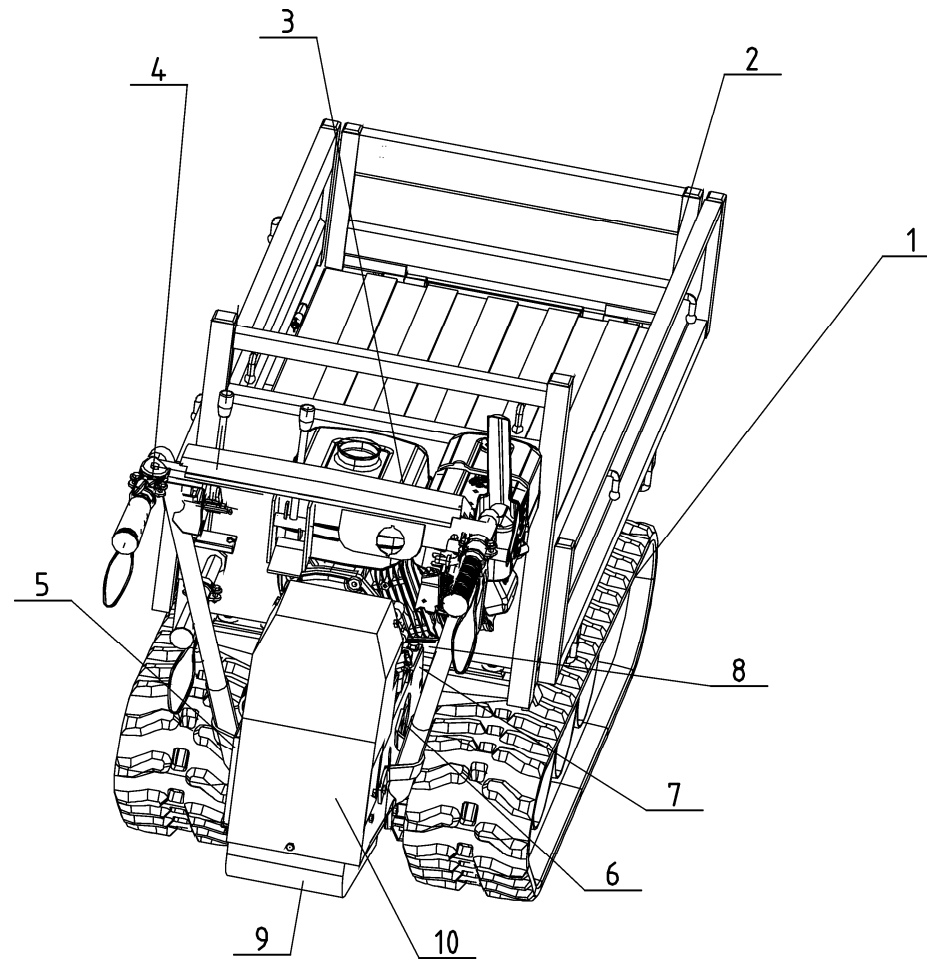
KIPOR

**Wuxi Kipor Power Co., Ltd.
Jiangsu, China**

Contents

1. General assembly of auxiliary machine	1
2. General assembly of running gear.....	3
3. General assembly of carriage.....	5
4. General assembly of engine	7
5. General assembly of handrail	9
6. General assembly of left side board	11
7. General assembly of driving axle	13
8. General assembly of right side board	18
9. General assembly of support cover	20
10. General assembly of base plate	22
11. General assembly of rear cover.....	24

General assembly of auxiliary machine KGFC350/500-0000000

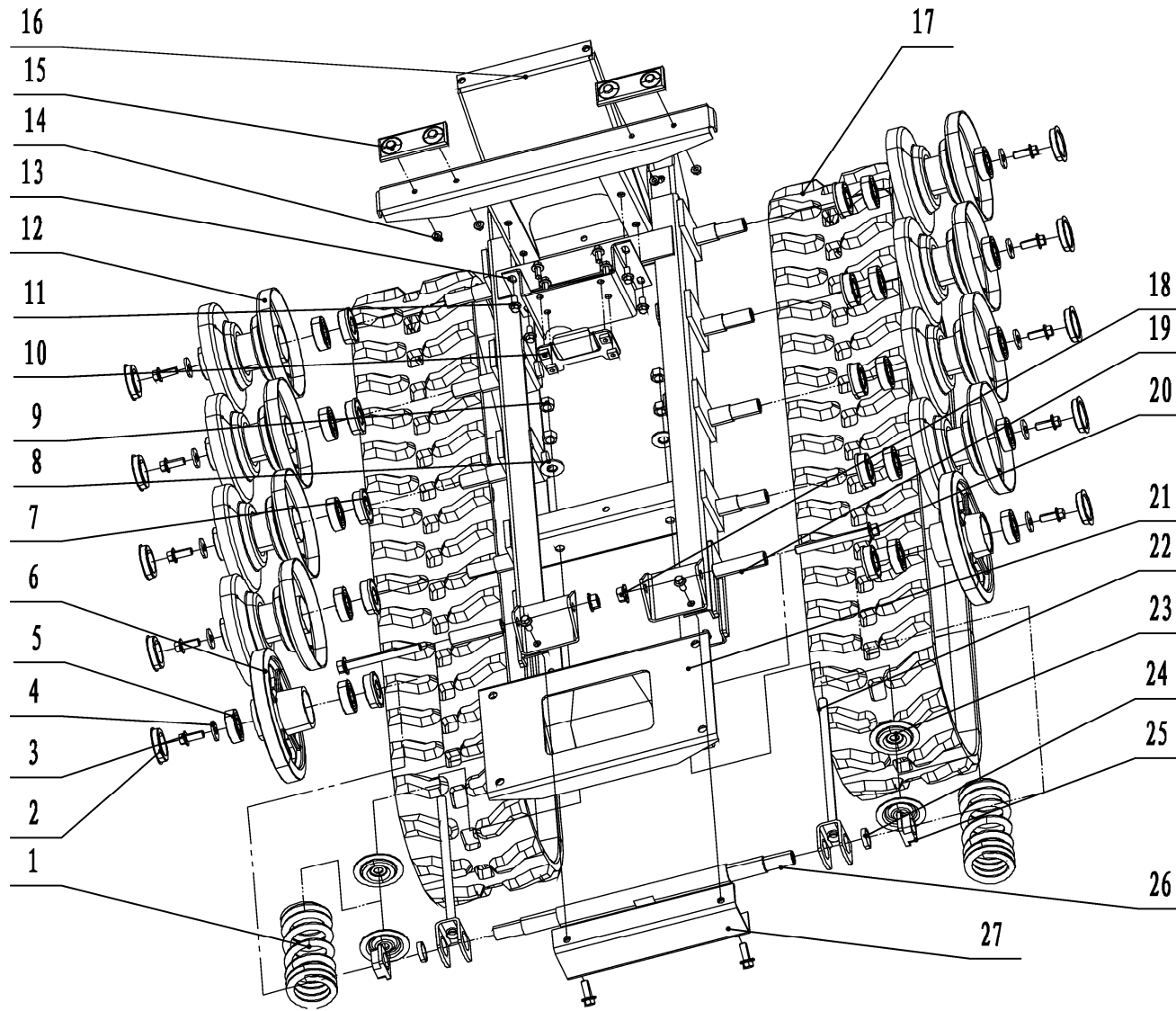


General assembly of auxiliary machine KGFC350/500-00000000

No.	Code	Name	Qty.	No.	Code	Name	Qty.
1	KGFC500/350-010000000	General assembly of running gear	1				
2	KGFC500-020000000	General assembly of carriage	1				
3	KGFC500/350-030000000	General assembly of engine	1				
4	KGFC500-040000000	General assembly of handrail	1				
5	KGFC500-050000000	General assembly of left side board	1				
6	KGFC500-060000000	General assembly of driving axle	1				
7	KGFC500-070000000	General assembly of right side board	1				
8	KGFC500-080000000	General assembly of support cover	1				
9	KGFC500-090000000	General assembly of base plate	1				
10	KGFC500-100000000	General assembly of rear cover	1				

Note: the difference between KGFC350 and KGFC500 is the engine and running gear.

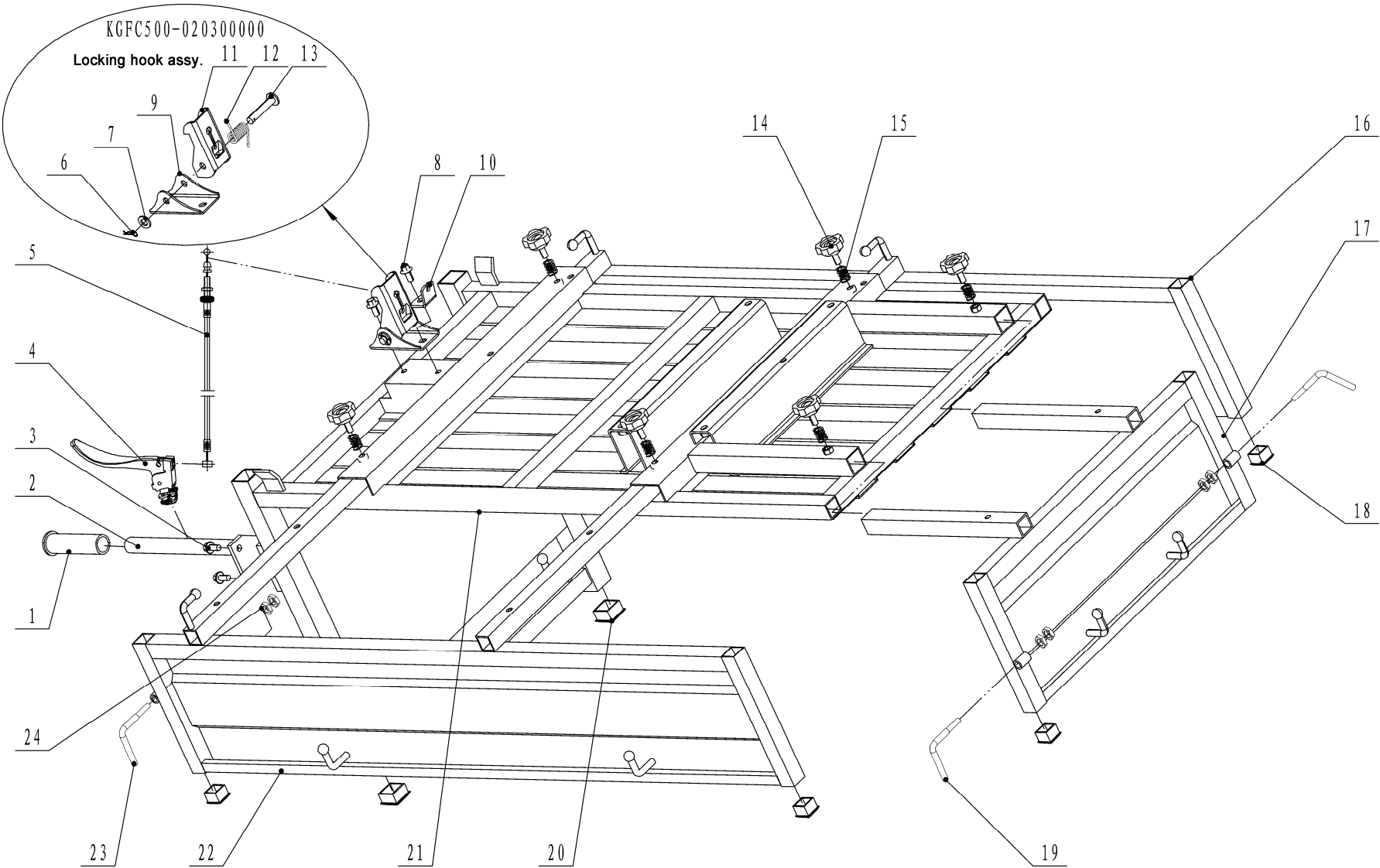
General assembly of running gear KGFC350/500-01000000



General assembly of running gear

No.	Code	Name	Qty.		No.	Code	Name	Qty.
			350	500				
1	KGFC500-010000003	Recoil spring of guide wheel	2		21	KGFC500-010200000	Welded whirling stand of carriage	1
2	KGFC500-010000006	Seal end cover 47	8	10	22	KGFC500-010301000	Welded recoil rod of guide wheel	2
3	GB/T 16674.2-2004	Hex flanged bolt M10x25x1.25	8	10	23	KGFC500-010000002	Shim plate of spring	4
4	KGFC500-010000007	Pressure plate of bearing	8	10	24	KGFC500-010300004	Shaft sleeve	2
5	GB/T 276-1994	Bearing 6204	16	20	25	KGFC500-010300002	Guide shaft sleeve	2
6	KGFC500-010300001	Guide wheel	2		26	KGFC500-010300003	Guide shaft	1
7	KGFC500-010300005	Combined oil seal 47	8	10	27	KGFC500-010400000	Welded baffler of guide wheel	1
8	KGFC500-010000004	Spacing board of spring	2					
9	GB/T 6171-2000	Nut M12x1.25	4					
10	KGFC500-010500000	Welded fixing board of carriage	1					
11	GB/T 16674.1-2004	Hex flanged bolt M8x16	12					
12	KGFC500-010601000	Supporting wheel weldment	6	8				
13	KGFC500-010000005	Fixing and adjusting board of carriage	1					
14	GB/T 6177.1-2000	Hex flanged nut M6	4					
15	KGFC500-010000008	Cushion board of carriage	2					
16	KGFC500-010100000	Welded frame of running gear	1					
17	KGFC500-010000009	Crawler 180x60x37	2					
18	GB/T 6177.2-2000	Hex flanged nut M12x1.25	2					
19	KGFC500-010000001	Rotary shaft sleeve of carriage	2					
20	GB/T 16674.2-2004	Hex flanged bolt M12x110x1.25	2					

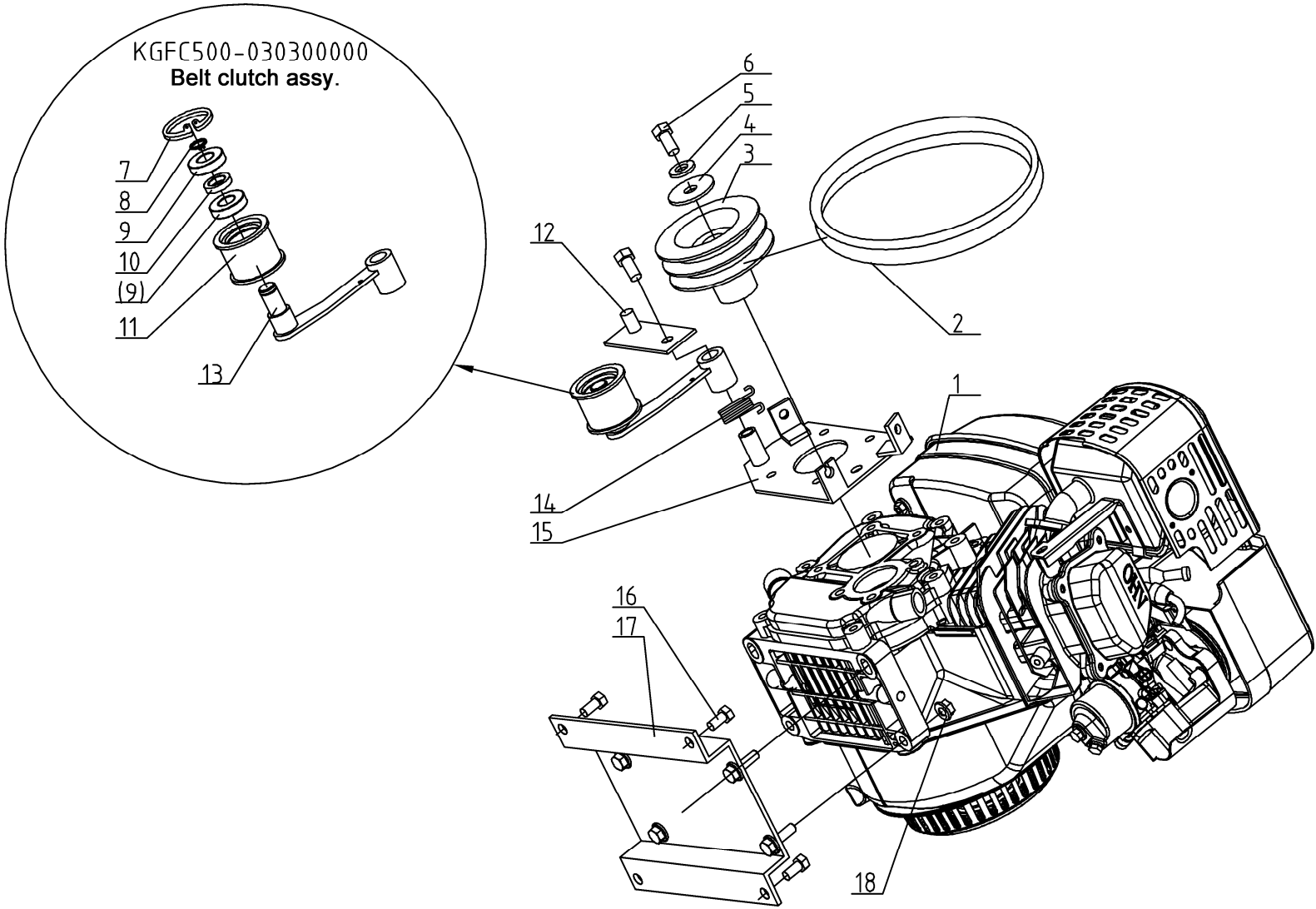
General assembly of carriage KGFC500-02000000



General assembly of carriage

No.	Code	Name	Qty.	No.	Code	Name	Qty.
1	KGFC500-020500004	Carriage handle	1	22	KGFC500-020700000a	Right welded board	1
2	KGFC500-020501000	Hand grip weldment	1	23	KGFC500-020000005a	Bent rod I	2
3	GB/T5789-1986	Hex flanged bolt M8x20	2	24	GB/T6172.1-2000	Hex thin nut M10	8
4	KGFC500-020500003	Hand brake	1				
5	KGFC500-020200000	General assembly of flexible shaft	1				
6	QC/T623-1999	Lockpin 10	1				
7	GB/T848-2002	Small washer, grade A 10	1				
8	GB/T 5789-1986	Hex flanged bolt M8x16	2				
9	KGFC500-020300001	Lower hold-down plate	1				
10	KGFC500-020000003	Puller of flexible shaft	1				
11	KGFC500-020300002	Locking hook	1				
12	KGFC500-020300003	Torsion spring	1				
13	GB/T882-1986	Hinge pin B B10x55	2				
14	KGFC500-020000001	Adjusting knob	6				
15	KGFC500-020000002	Spring	6				
16	KGFC500-020600000a	Left welded board	1				
17	KGFC500-020100000a	Right welded board	1				
18	KGFC500-020000004	Plastic cap I	6				
19	KGFC500-020000007	Bent rod III	2				
20	KGFC500-020000006	Plastic cap II	2				
21	KGFC500-020400000a	Welded body	1				

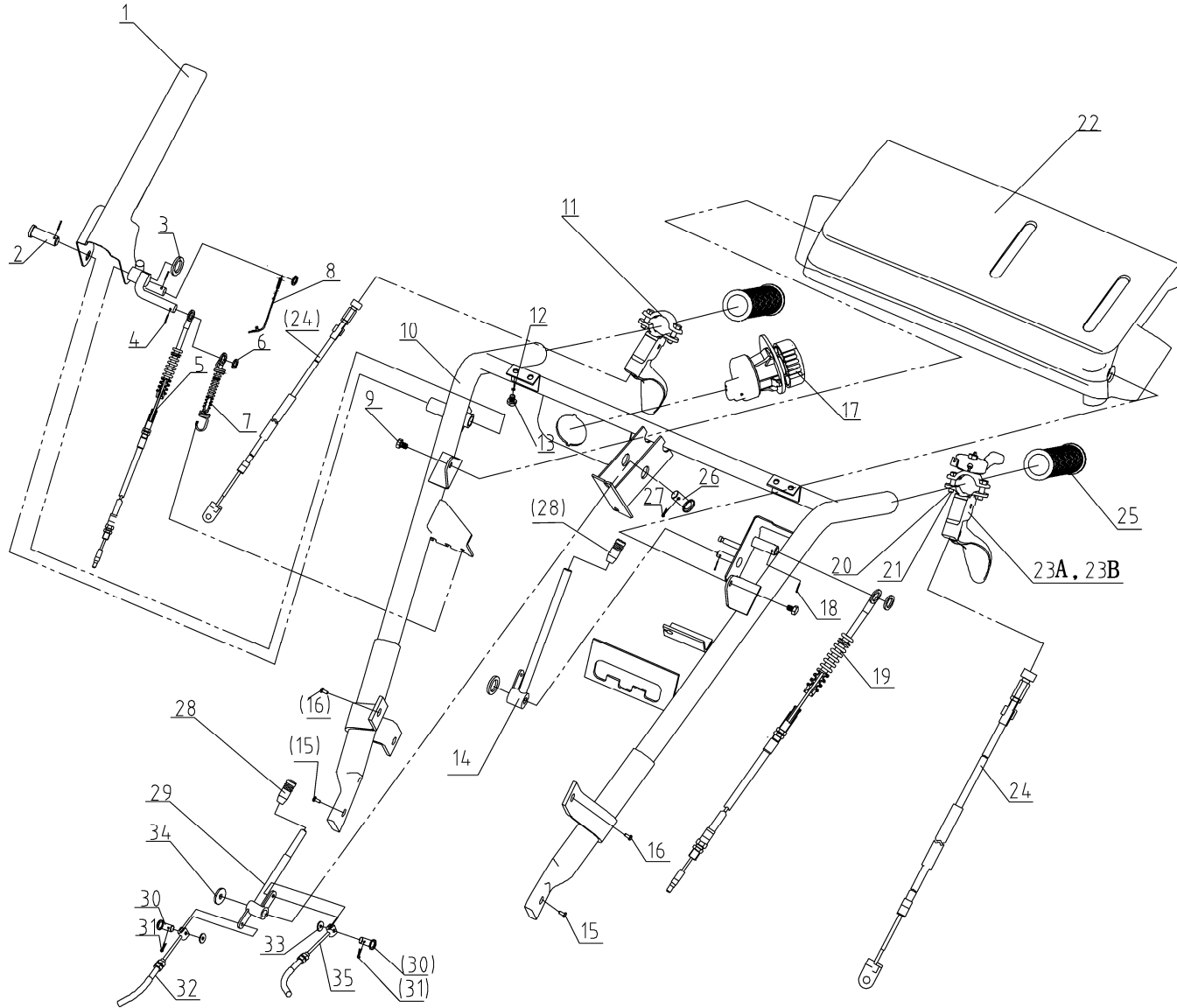
General assembly of engine KGFC350/500-03000000



General assembly of engine KGFC500-05000000

No.	Code	Name	Qty.	No.	Code	Name	Qty.
1	GK170-00000 (KGFC350)	Gasoline engine 170	1				
	GK205-00000 (KGFC500)	Gasoline engine 205	1				
2	KGFC500-030000005	V-belt Type A	2				
3	KGFC500-030000003	Driving pulley	1				
4	KGFC500-030000004	Special washer 8	1				
5	GB/T859-1987	Washer 8	9				
6	GB/T5783-2000	Bolt M8x25	1				
7	GB/T893.1-1986	Stop collar 32	1				
8	GB/T894.7-1986	Stop collar 15	1				
9	GB/T275-4-1994	Bearing 16002	2				
10	KGFC500-030300002	Gasket	1				
11	KGFC500-030300001a	Roller	1				
12	6.22.017	Welded limiting pole II	1				
13	KGFC500-030301000	Welded support of clutch	1				
14	KGFC500-030000002	Torsion spring	1				
15	KGFC500-030200000	Welded mounting plate of main	1				
16	GB/T5789-2000	Bolt M8x16	10				
17	KGFC500-030100000	Welded mounting plate of engine	1				
18	GB/T6177.1-2000	Flanged nut M8	4				

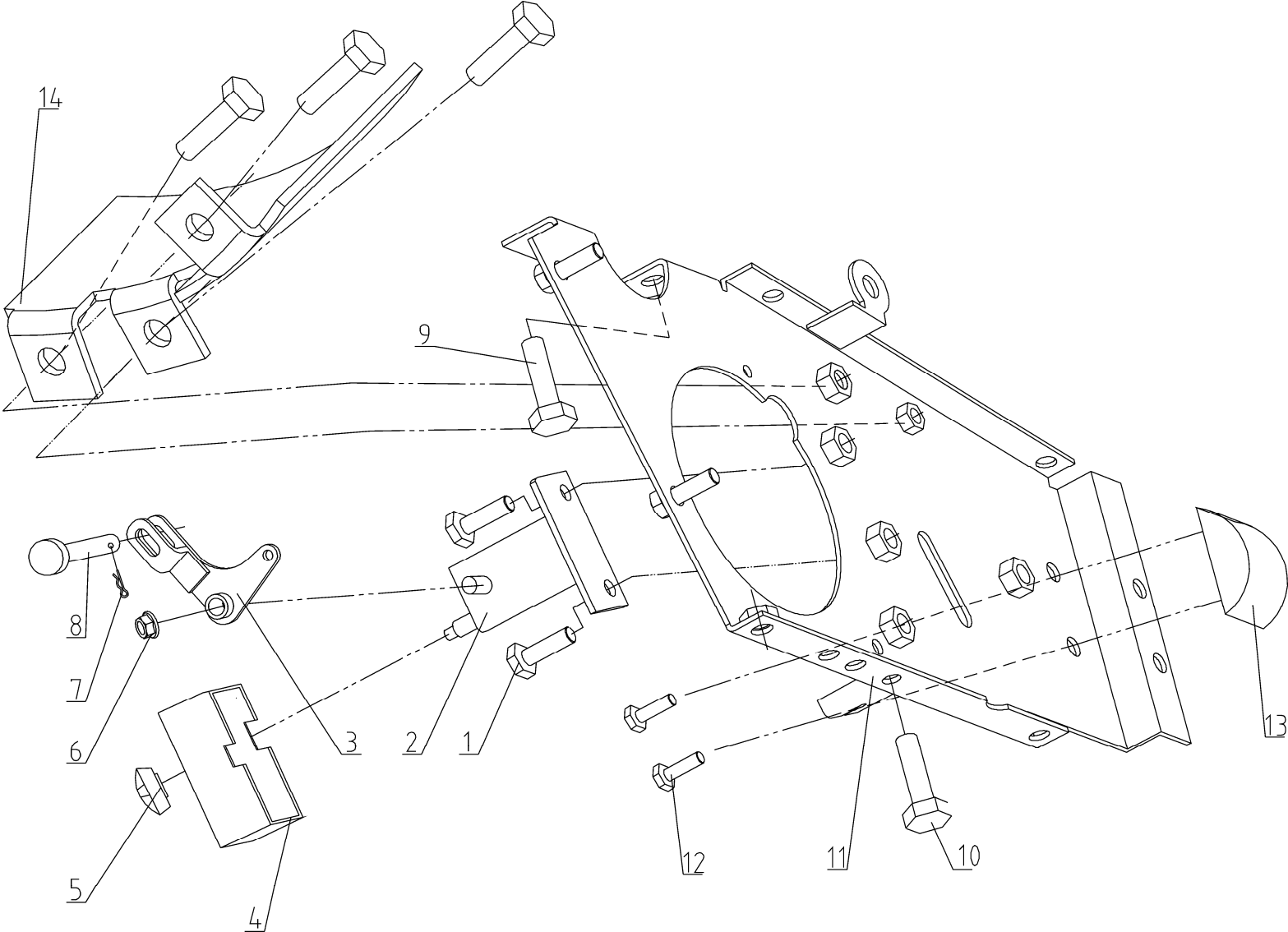
General assembly of handrail KGFC500-04000000



General assembly of handrail KGFC500-04000000

No.	Code	Name	Qty.	No.	Code	Name	Qty.
1	KGFC500-040200000	Slewing welded part	1	20	GB/T6170-2000	Nut M6	4
2	GB/T882-1986	Hinge pin B 12x95	1	21	GB/T5781-2000	Bolt M6x25	4
3	GB/T97.1-2002	Gasket 12	1	22	KGFC500-040000001	Panel	1
4	GB/T91-2000	Split pin 3.2x25	3	23A	KGFC500-041200000	Left-turn handle and throttle switch	1
5	KGFC500-040700000	Flexible shaft assy. of clutch cable	1	23B	KGFC500-041202000	Throttle cable	1
6	GB/T97.1-2002	Flat washer 10	4	24	KGFC500-040400000	Flexible shaft assy. of steering	2
7	KGFC500-040000002	Long tension spring	1	25	6.40-101	Handrail bushing	2
8	KGFC500-040500000	Flexible shaft assy. of brake	1	26	GB/T882-1986	Hinge pin B 12x55	1
9	GB/T5789-1986	Bolt M6x12	2	27	GB/T91-2000	Split pin 3.2 x25	1
10	KGFC500-040100000	Welded handrail	1	28	6.40.016-102	Handle sleeve	2
11	KGFC500-041100000	General assembly of right-turn handle	1	29	KGFC-040601000	Welded handle of quick/low-velocity handle	1
12	GB/T97.1-2002	Washer 5	2	30	GB/T882-1986	Hinge pin B 6x16	2
13	GB/T5783-2000	Bolt M5x10	2	31	GB/T91-2000	Split pin 1.6x18	3
14	KGFC500-040301000	Hand grip for forward and backward	1	32	KGFC500-040900000	Flexible shaft assy. of right gearbox	1
15	GB/T5789-1986	Bolt M10x25	2	33	GB/T97.1-2002	Gasket 6	2
16	GB/T5789-1986	Bolt M10x20	3	34	GB/T97.1-2002	Gasket 12	1
17	KG510.09.016	General assembly of emergency stop	1	35	KGFC500-041000000	Flexible shaft assy. of left gearbox	1
18	GB/T882-1986	Hinge pin B 6x16	1				
19	KGFC500-040800000	Flexible shaft assy. of forward/backward control	1				

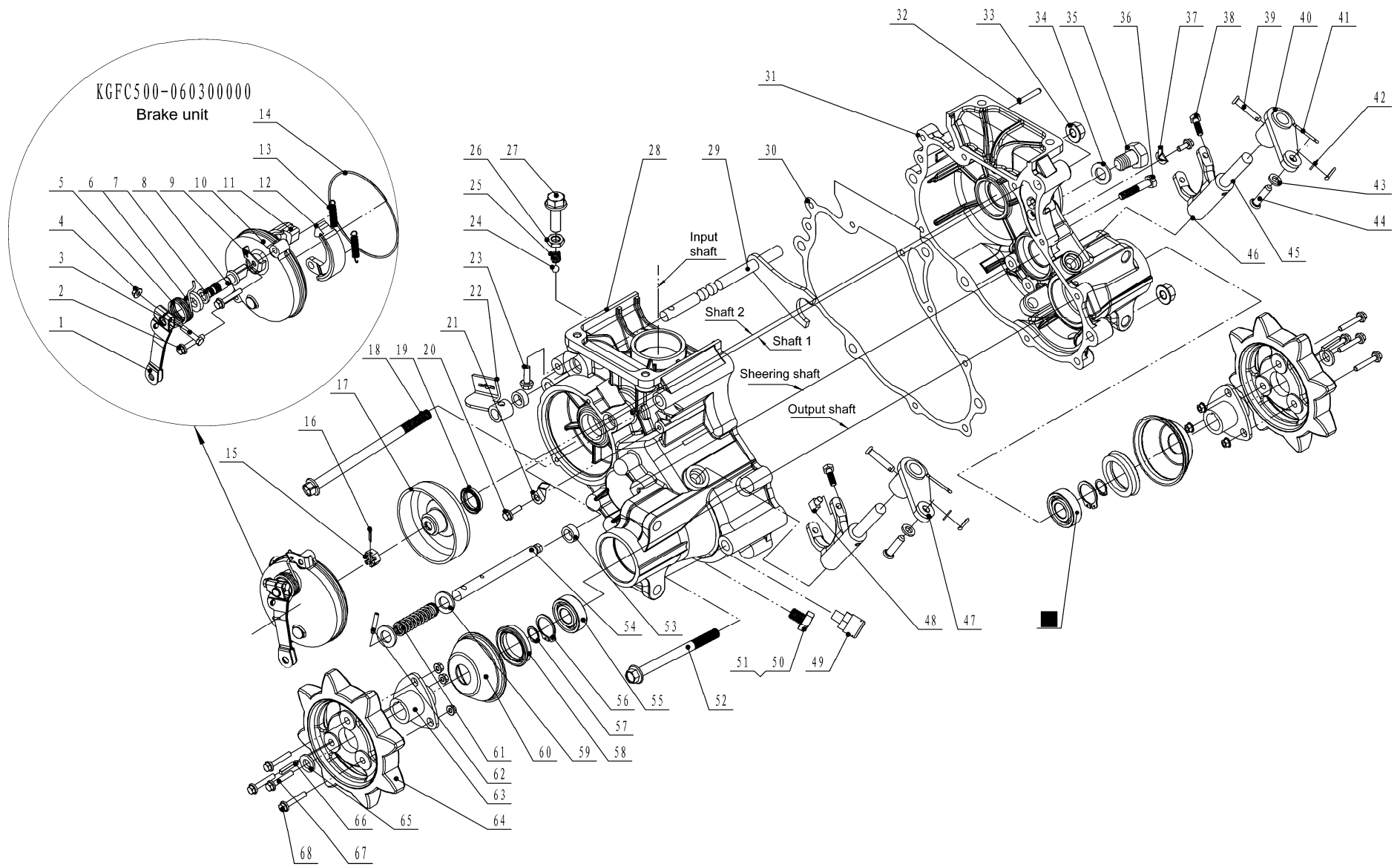
General assembly of left side board KGFC500-05000000



General assembly of left side board KGFC500-05000000

No.	Code	Name	Qty.	No.	Code	Name	Qty.
1	GB/T5789-1986	Bolt M8x16	5				
2	KGFC500-050500000	Welded forward/backward support	1				
3	KGFC500-050600000	Welded forward/backward fork	1				
4	KGFC500-050000003	Cover	1				
5	6.22.014	Locking knob assy.	1				
6	GB/T6170-2000	Nut M8	1				
7	QC/T623-1999	Lock pin Q50106	1				
8	GB/T882-1986	Hinge pin B 6x25	1				
9	GB/T5789-1986	Bolt M10x65	2				
10	GB/T9074.17-1988	Bolt 8x20	2				
11	KGFC500-050100000	Welded left side board	1				
12	GB/T5789-1986	Bolt M6x12	2				
13	KGFC500-050000001	Baffler of left belt	1				
14	KGFC500-050000002	Left splash guard	1				

General assembly of driving axle KGFC500-060000000



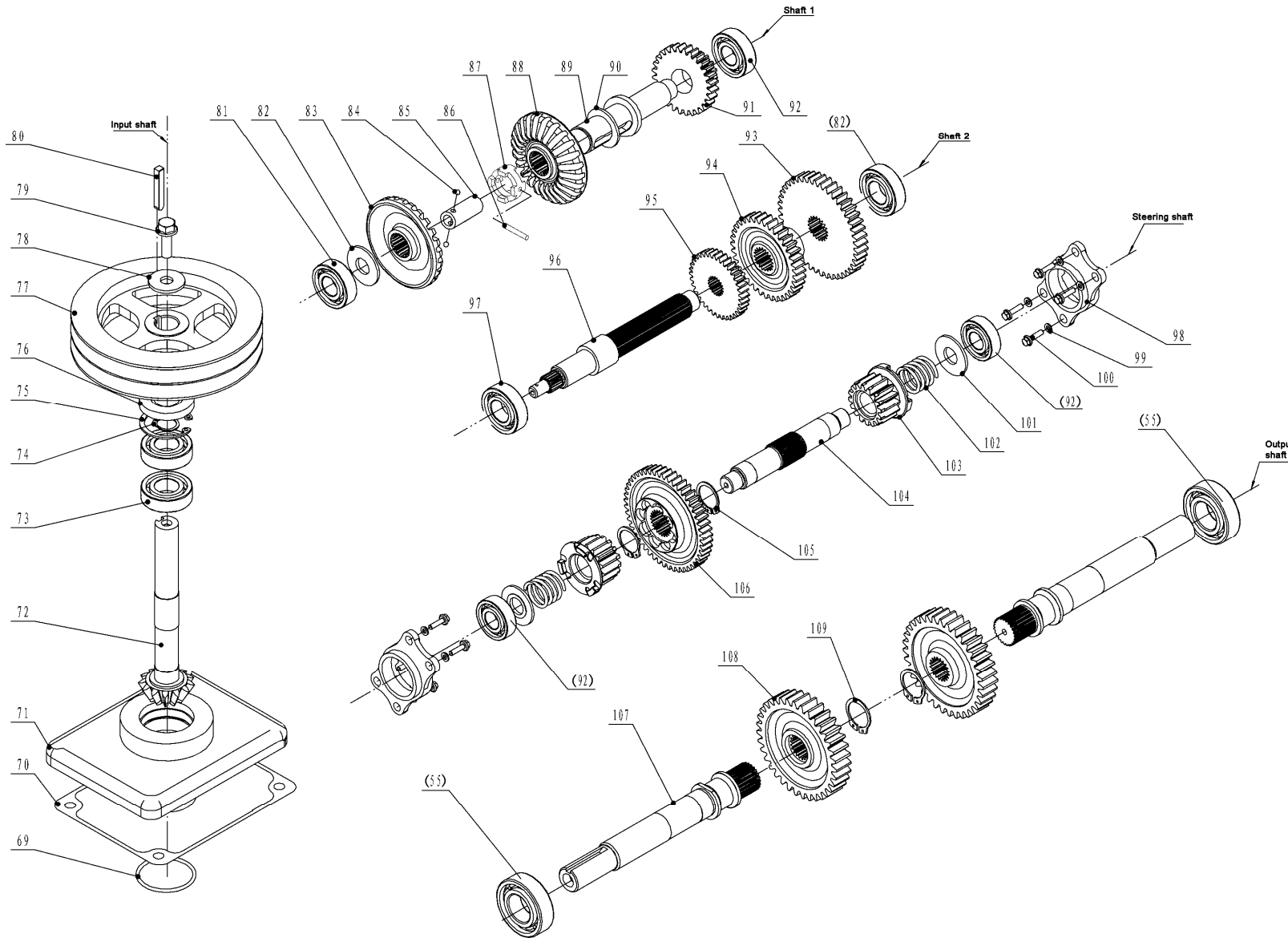
General assembly of driving axle KGFC500-060000000

No.	Code	Name	Qty.	No.	Code	Name	Qty
1	KGFC500-060300007	Connecting plate	1	25	KGFC500-060000021	Gear shift spring	2
2	GB/T16674.1-2004	Bolt M5x30	2	26	GB/T6172.1-2000	Nut M10	2
3	GB/T5783-2000	Bolt M5x25	1	27	GB/T5783-2000	Bolt M10x35	2
4	GB/T6177.1-2000	Nut M5	1	28	KGFC500-060000004	Left housing of gearbox	1
5	KGFC500-060300002	Torsion spring	1	29	KGFC500-060901000	Welded quick/low-velocity fork	1
6	KGFC500-060300001	Washer 10	1	30	KGFC500-060000018	Paper washer of left and right housings	1
7	KGFC500-060300003	Seal ring 9x16x2.5	1	31	KGFC500-060000008	Right housing of gearbox	1
8	KGFC500-060300004	Brake shaft	1	32	KGFC500-060000020	Hollow pin	2
9	KGFC500-060300008	Catch plate of torsion spring	1	33	GB/T6177.1-2000	Flanged nut M10	10
10	KGFC500-060300005	Brake end cover assy.	1	34	KG160-010160	Gasket of oil tank	1
11	KGFC500-060301000	Brake disc bonding I	1	35	KG160-010180	Screw plug of oil outlet	1
12	KGFC500-060302000	Brake disc bonding II	1	36	GB/T5789-1986	Flanged bolt M6x30	6
13	KGFC500-060300006	Tension spring of brake	2	37	KGFC500-060000017	Right flexible shaft pressing plate	1
14	GB/T3452.1-2005	O ring 97.5x1.8	1	38	GB/T5783-1986	Bolt M5x25	2
15	GB/T9459-1988	Slotted thin nut M10x1	1	39	GB/T882-1986	Hinge pin 5x26	2
16	GB/T91-2000	Pin 2x20	1	40	KGFC500-060701000	Welded right-turn arm	1
17	KGFC500-060400000	Welded brake drum	1	41	GB/T91-2000	Pin 2x20	4
18	GB/T5789-1986	Flanged bolt M10x160	1	42	GB/T97.3-2000	Washer 5	2
19	GB/T9877.1-1988	Oil seal FB20x30x7	1	43	GB/T97.3-2000	Washer 6	2
20	GB/T9074.17-1998	Q1460620	2	44	GB/T882-1986	Hinge pin 6x22	2
21	KGFC500-060000016	Left flexible shaft pressing plate	1	45	KGFC500-060000009	Fork shaft	2
22	KGFC500-060902000	Speed gear baffle plate welding	1	46	KGFC500-060000006	Fork	2
23	GB/T5783-2000	Bolt M8x35	4	47	KGFC500-060801000	Welded left-turn arm	1
24	GB/T308-1984	Steel ball Φ8	1	48	KGFC500-060000015	Block	4

General assembly of driving axle KGFC500-060000000

No.	Code	Name	Qty.	No.	Code	Name	Qty.
49	KGFC500-061000000	Air plug	1				
50	GB/T5783-1986	Bolt M12X16	1				
51	JB/T982-1977	Seal washer 12	1				
52	GB/T5789-1986	Flanged bolt M10x120	3				
53	6.37.012	Rubber oil seal for frame	1				
54	KGFC500-060200001	Fork shaft of reverse gear I	1				
55	GB/T276-1994	Bearing 6205	4				
56	GB/T893.1-1986	Collar 52	2				
57	GB/T894.1-1986	Collar 25	2				
58	KGFC500-060000003	Oil seal assy.	2				
59	GB/T97.1-2002	Washer 12	2				
60	KGFC500-060000002	End cover of output shaft	2				
61	KGFC500-060200011	Fork shaft spring of reverse gear I	1				
62	GB/T879.4-2000	Pin 4x25	1				
63	KGFC500-060500000	Welded seat of driving wheel	2				
64	KGFC500-060000001	Driving sprocket	2				
65	GB/T96.1-2002	Washer 10	2				
66	GB/T1096-1979	Flat key B 5x35	2				
67	GB/T5789-1986	Bolt M10x25	2				
68	GB/T5789-1986	Bolt M10x35	6				

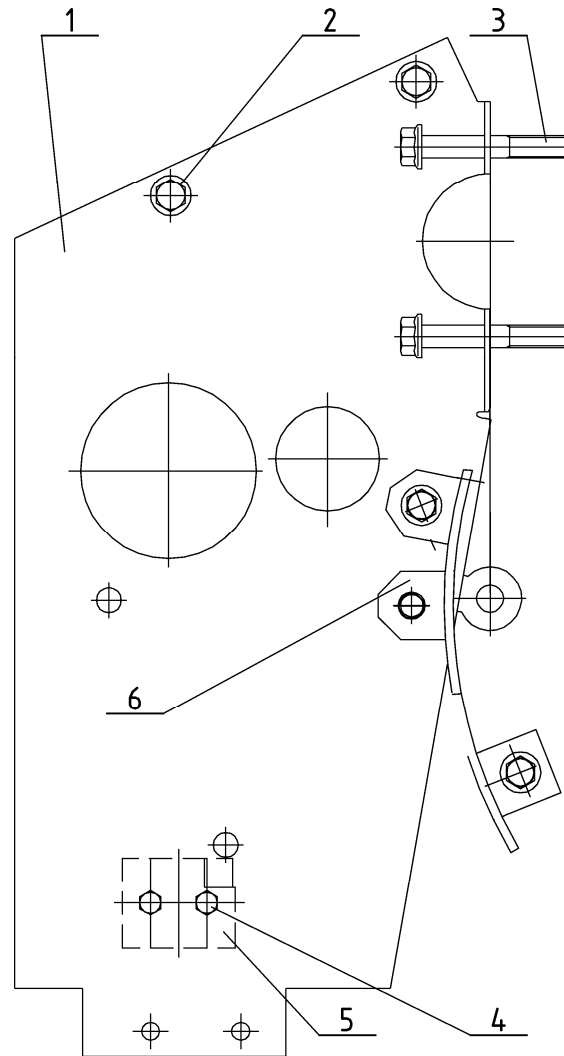
General assembly of driving axle II KGFC500-060000000



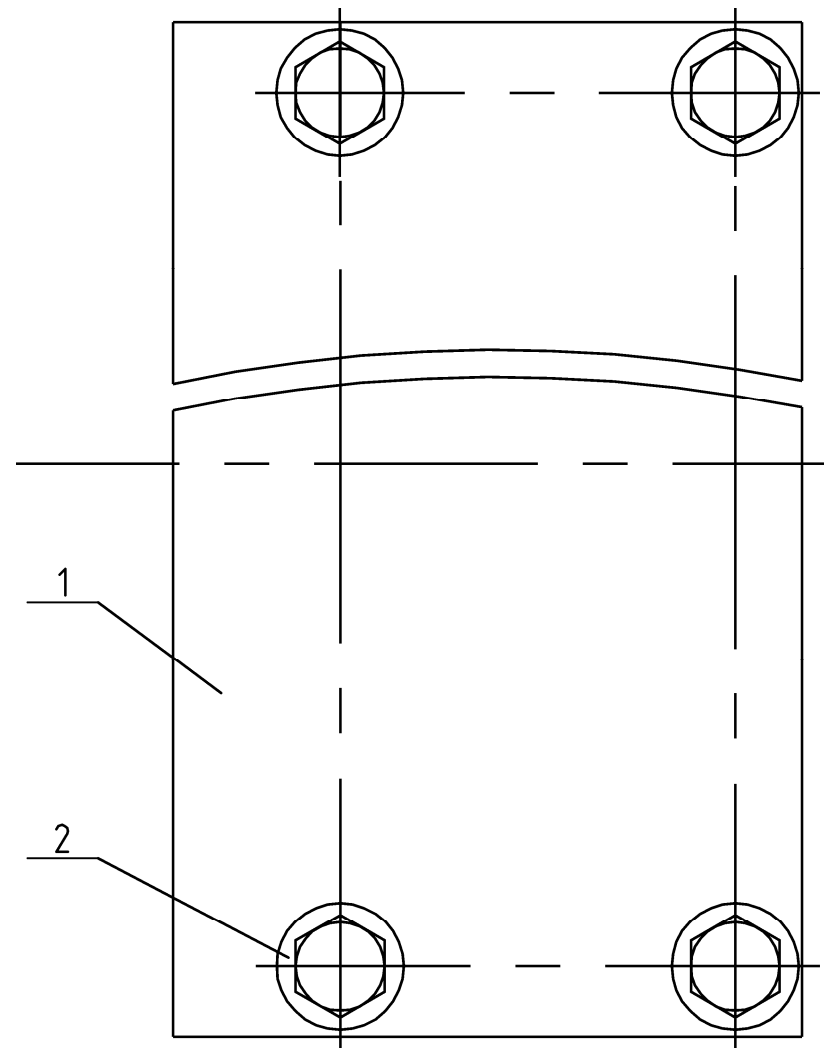
General assembly of driving axle KGFC500-060000000

No.	Code	Name	Qty.	No.	Code	Name	Qty.
69	GB/T3452.1-1992	O ring 43.7x2.65	1	93	KGFC500-060000012	Slow-velocity gear of shaft II	1
70	KGFC500-060000019	Paper washer of housing capping	1	94	KGFC500-060000013	Quick-velocity gear of shaft II	1
71	KGFC500-060100001	Housing capping	1	95	KGFC500-060000014	Driving gear of shaft II	1
72	KGFC500-060100002	Driving gear	1	96	KGFC500-060000011	Shaft II	1
73	GB/T276-1994	Bearing 6004	2	97	GB/T276-1994	Bearing 6004	1
74	GB/T894.1-1986	Collar 20	1	98	KGFC500-060000010	Bearing seat	2
75	GB/T893.1-1986	Collar 42	1	99	GB/T9074.27-1988	Washer 6	8
76	GB/T13871-1992	Oil seal FB20x45x7	1	100	GB/T5789-1986	Flanged bolt M6x25	8
77	KGFC500-060100003a	Driven pulley	1	101	KGFC500-060600002	Gasket	2
78	GB/T96.1-2002	Washer 6	1	102	KGFC500-060600003	Steering spring	2
79	GB/T5789-1986	Flanged bolt M6x25	1	103	KGFC500-060600004	Steering gear	2
80	GB/T1096-1979	Key B6x35	1	104	KGFC500-060600001	Steering shaft	1
81	GB/T276-1994	Bearing 60/22	1	105	GB/T894.1-1986	Collar 25	2
82	KGFC500-060200009	Adjusting shim	Option	106	KGFC500-060600005	Middle gear of steering shaft	1
83	KGFC500-060200002	Forward bevel gear of shaft I	2	107	KGFC500-060000005	Output shaft	2
84	GB/T308-1984	Steel ball Φ4	2	108	KGFC500-060000007	Gear of output shaft	2
85	KGFC500-060200010	Fork seat	1	109	GB/T894.1-1986	Collar 25	2
86	GB/T879.2-2000	Pin 5x35	1				
87	KGFC500-060200005	Slide sleeve of shaft I	1				
88	KGFC500-060200007	Backward bevel gear of shaft I	1				
89	KGFC500-060200003	Shaft I	1				
90	KGFC500-060200006	Adjusting shim	1				
91	KGFC500-060200004	Variable gear of shaft I	1				
92	GB/T276-1994	Bearing 6203	4				

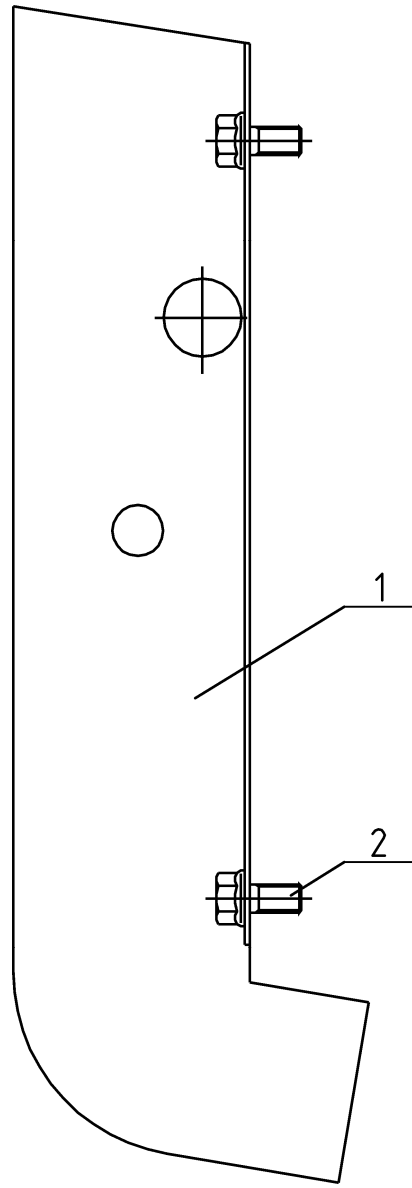
General assembly of right side board KGFC500-07000000



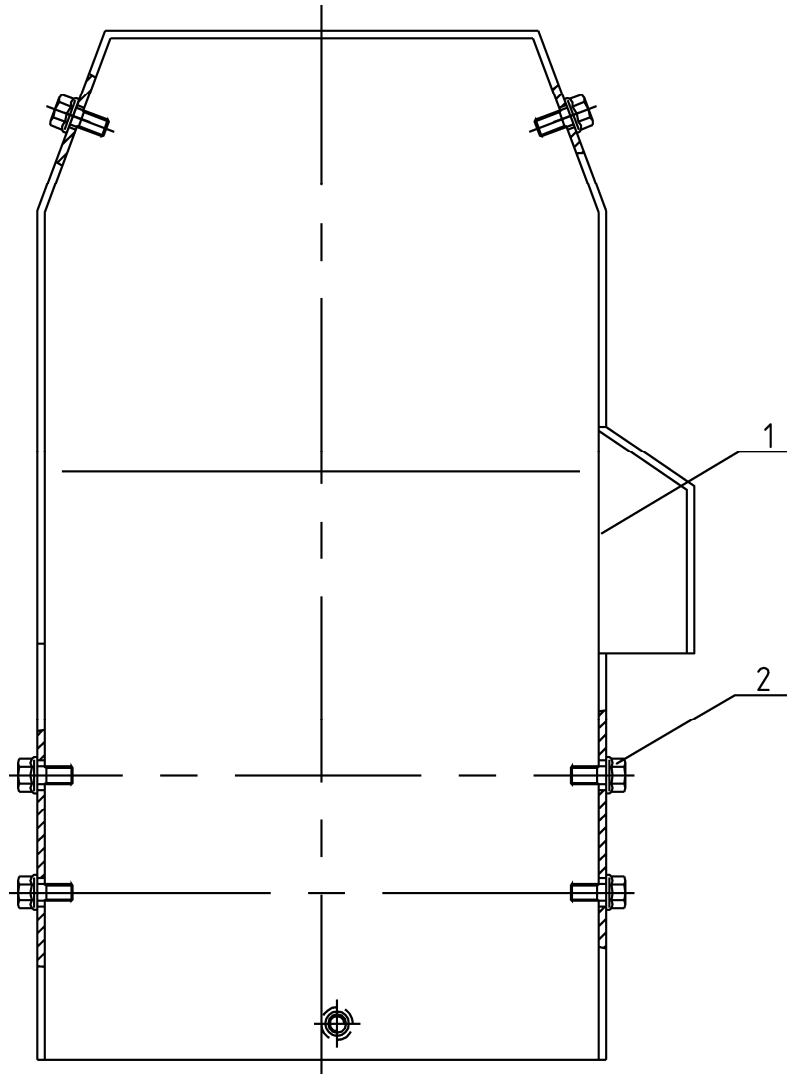
General assembly of support cover KGFC500-08000000



General assembly of base plate KGFC500-09000000



General assembly of rear cover KGFC500-10000000



WUXI KIPOR POWER CO., LTD.

Add.: No. 1098, Dacheng Road, Eastern part of Xishan Economic Development Zone, Wuxi

Tel.: 0086-510-88709888

Fax: 0086-510-88700555

E-mail: kipor@kipor.com

Version 2