

KGFC500

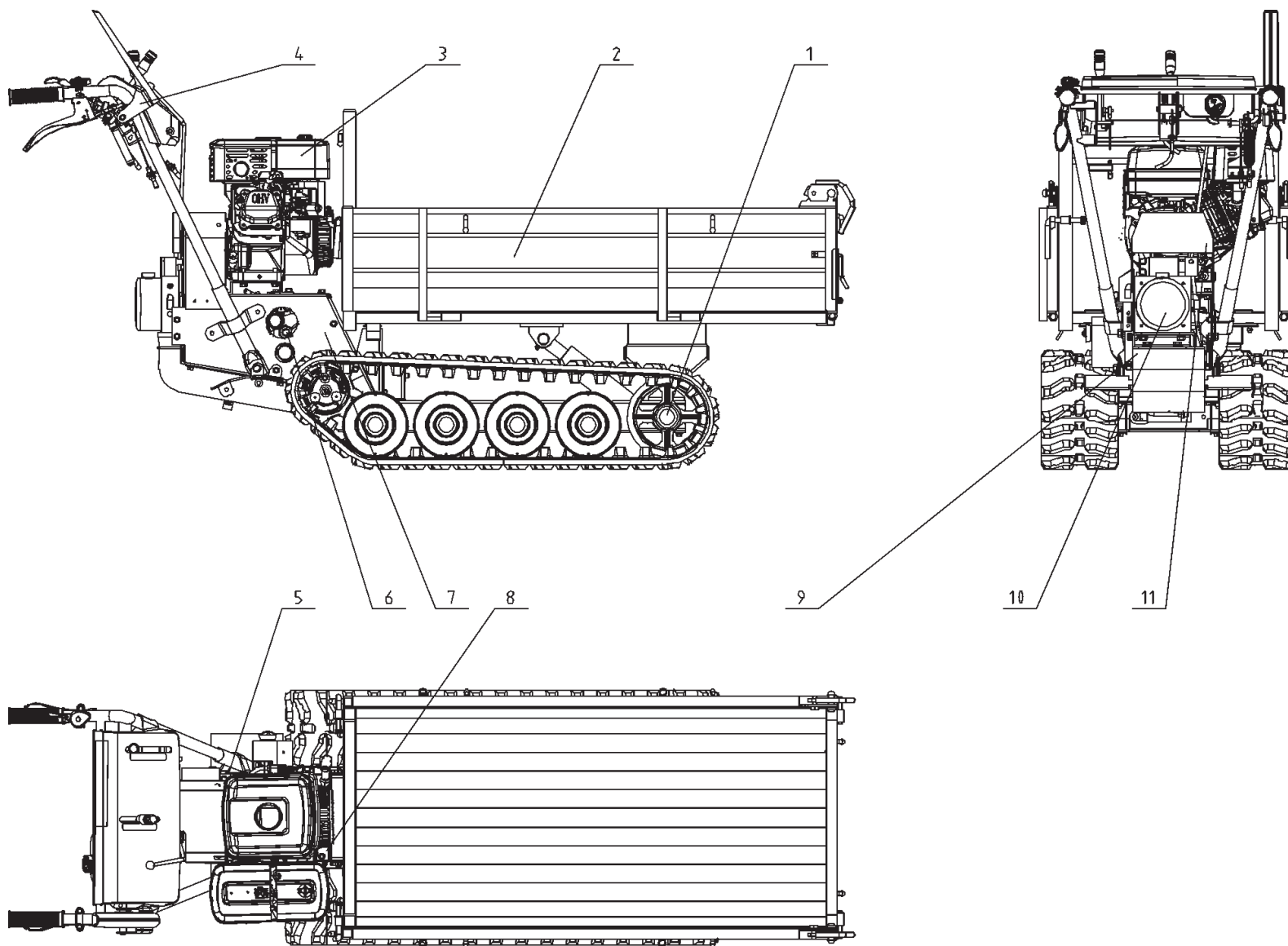
Track Drive Auxiliary Machinery for Mountain area Part List

WUXI KIPOR POWER CO., LTD.

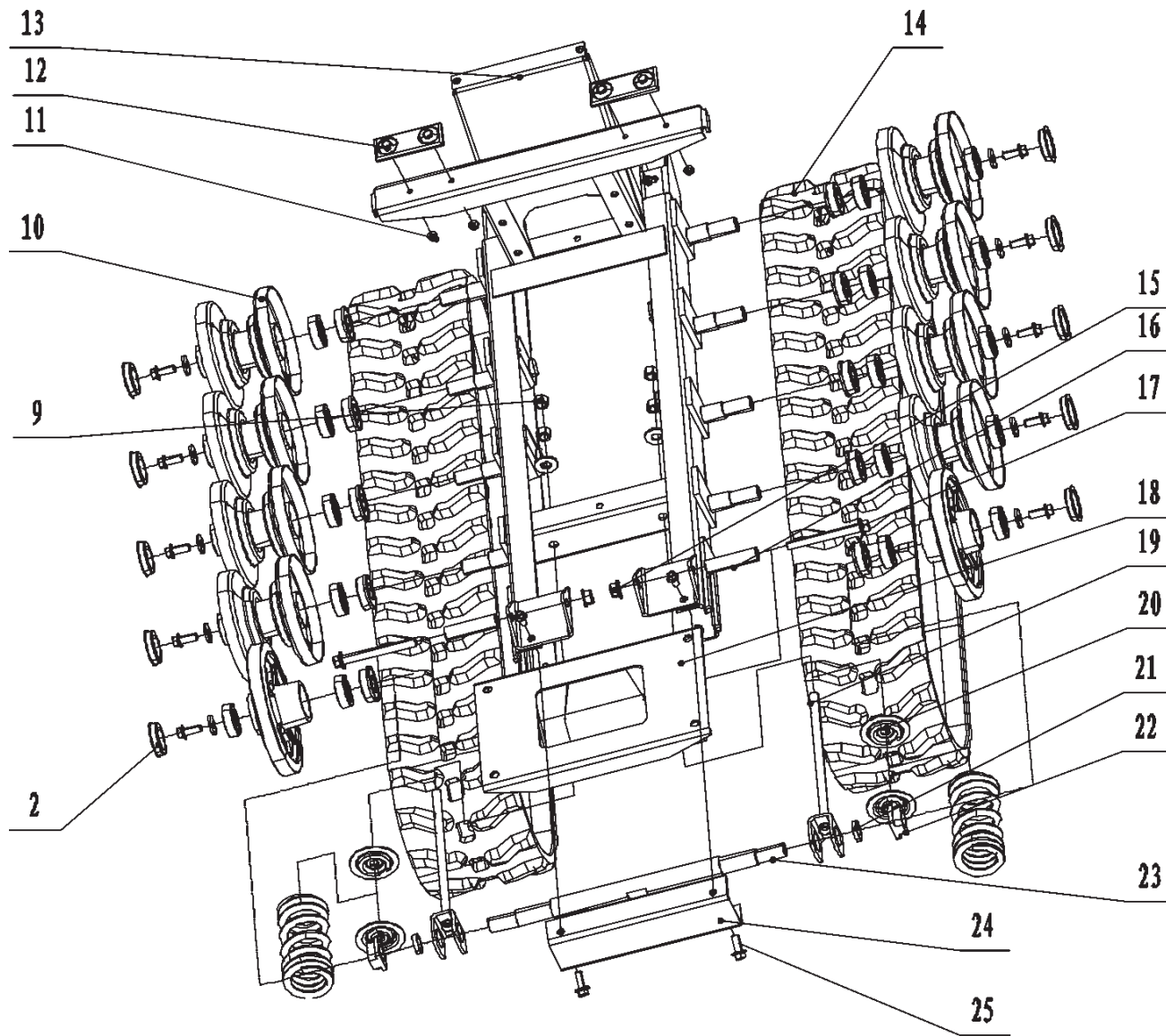
Contents

Self-unload pastoral management carrier (Kohler) KGFC350-a-000000000	1
KGFC350-a-010000000 Running gear assembly	3
KGFC350-a-020000000 Carriage assembly	5
KGFC350-a-030000000 (Kohler) engine assembly	7
KGFC350-a-040000000 Handle frame assembly	9
KGFC350-a-050000000 Left side plate assembly	11
KGFC350-a-060000000 Drive axle assembly 1	13
KGFC350-a-060000000 Drive axle assembly 2	16
KGFC350-a-070000000 Right side plate	18
KGFC350-a-080000000 Cover plate supporter assembly	20
KGFC350-a-090000000 Base plate	22
KGFC350-a-100000000 Rear cover plate assembly	24
KGFC350-a-110000000 Hydraulic system assembly	26

Self-unload pastoral management carrier (Kohler) KGFC350-a-000000000



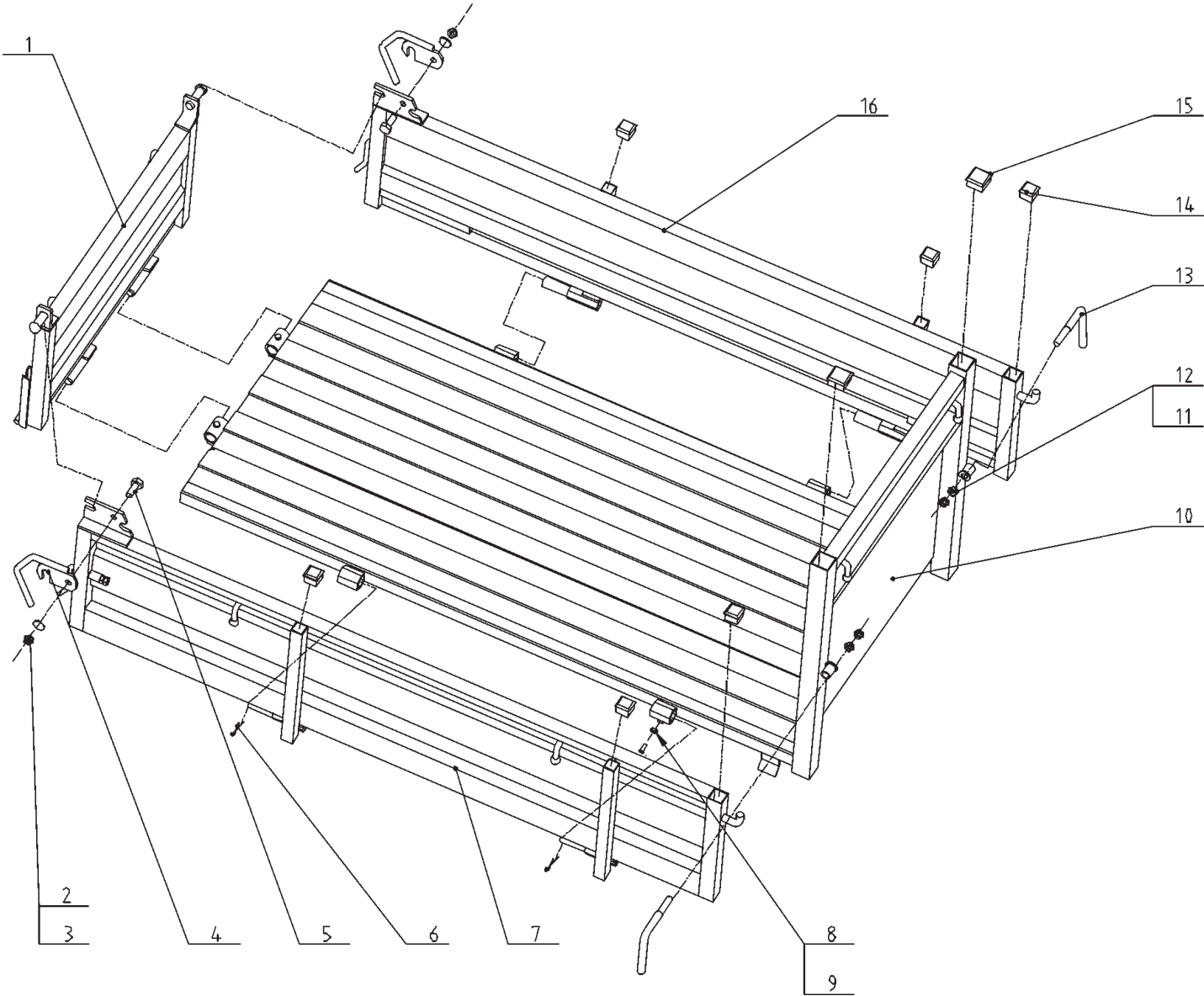
KGFC350-a-01000000 Running gear assembly



KGFC350-a-010000000 Running gear assembly

No.	Part No.	Description	Qty.	No.	Part No.	Description	Qty.
1	KGFC500-010000003	Tensioning spring of guide wheel	2	22	KGFC500-010300002	Guide shaft sleeve	2
2	KGFC500-010000006	Seal end cover 47	10	23	KGFC500-010300003	Guide shaft	1
3	GB/T16674.2-2004	Bolt M10*25*1.25	10	24	KGFC500-a-010400000	Guide wheel baffle plate	1
4	KGFC500-010000007	Pressing plate of bearing	10	25	GB/T16674.4-2004	Bolt M8*16	4
5	GB/T276-1994	Bearing 6204	20				
6	KGFC500-010300001	Guide wheel	2				
7	KGFC500-010300005	Combination oil seal 47	10				
8	KGFC500-010000004	Spacing board for spring	2				
9	GB/T6171-2000	Nut M12*1.25	4				
10	KGFC500-020300002	Support wheel	2				
11	GB/T6177.1-2000	Nut M6	4				
12	KGFC500-010000008	Damper plate of carriage	2				
13	KGFC500-a-010100000	Running frame weldment	1				
14	KGFC500-010000009	Track 180*60*37	2				
15	GB/T6177.2-2000	Nut M12*1.25	2				
16	KGFC500-010000001	Reverse shaft sleeve of carriage	2				
17	CB/T16674.2-2004	Bolt M12*110*1.25	2				
18	KGFC500-a-010200000	Reverse frame of carriage	2				
19	KGFC500-010301000	Tensioning shaft of guide wheel	4				
20	KGFC500-010000002	Spring base plate	4				
21	KGFC500-010300004	Shaft sleeve	2				

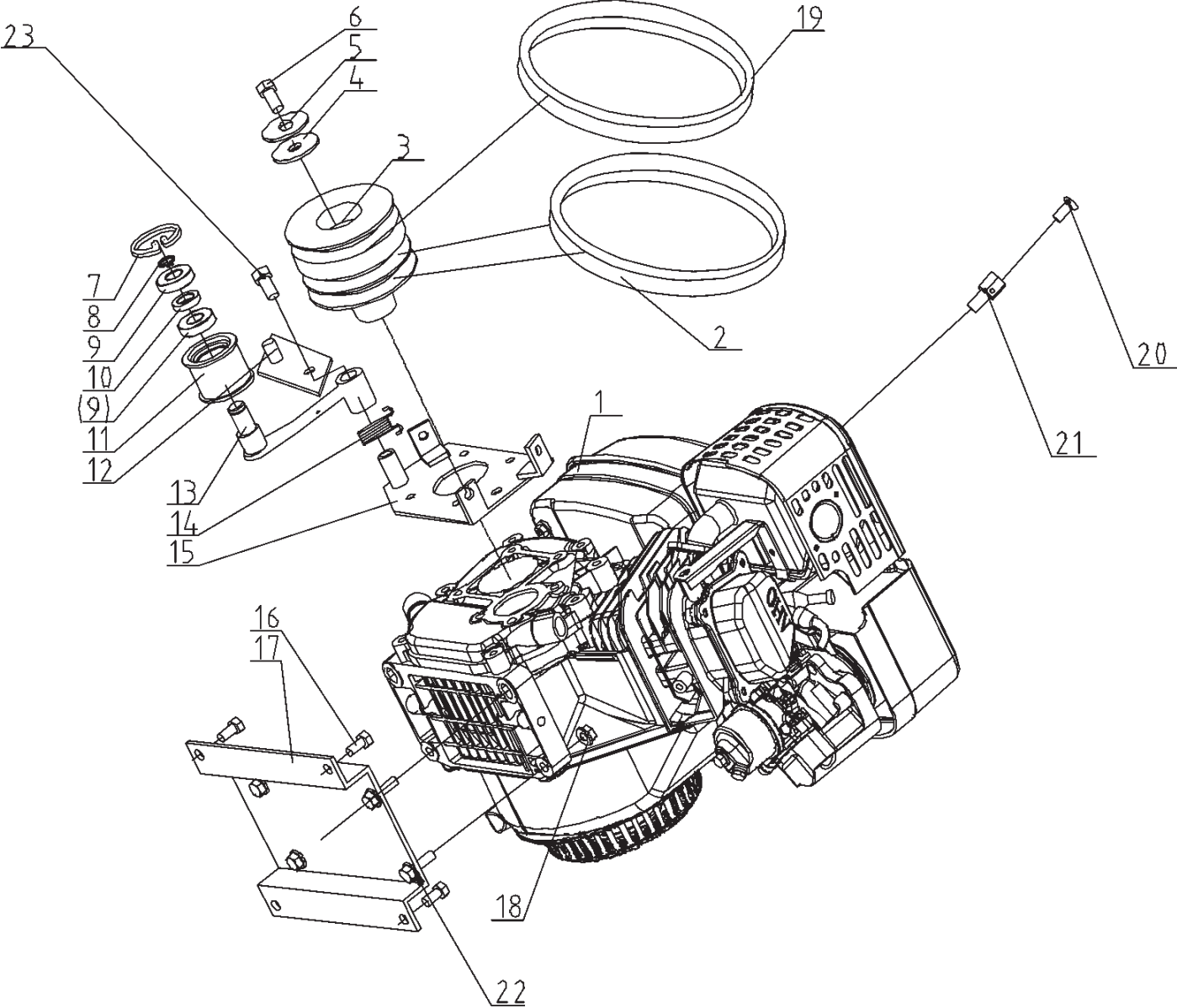
KGFC350-a-020000000 Carriage assembly



KGFC350-a-020000000 Carriage assembly

No.	Part No.	Description	Qty.	No.	Part No.	Description	Qty.
1	KGFC500-a-020100000	Rear side plate	1				
2	GB6170-2000	Nut M10	2				
3	GB/T848-1985	Washer 10	2				
4	KGFC500-a-020800000	Handle	2				
5	GB/T5783-2000	Bolt M10*25	2				
6	GB/T91-1986	Pin 4*25	4				
7	KGFC500-a-020600000	Left side plate	1				
8	GB/T6172.1-2000	Nut M8	2				
9	GB/T5783-2000	Bolt M8*25	2				
10	KGFC500-a-020400000	Carriage weldment	1				
11	GB/T97.1-2000	Washer 12	2				
12	GB/T6170-2000	Nut M12	4				
13	KGFC500-a-020000007	Curved lever 3	2				
14	KGFC500-a-020000004	Plastic cover 1	6				
15	KGFC500-a-020000006	Plastic cover 2	2				
16	KGFC500-a-020700000	Right side plate	1				

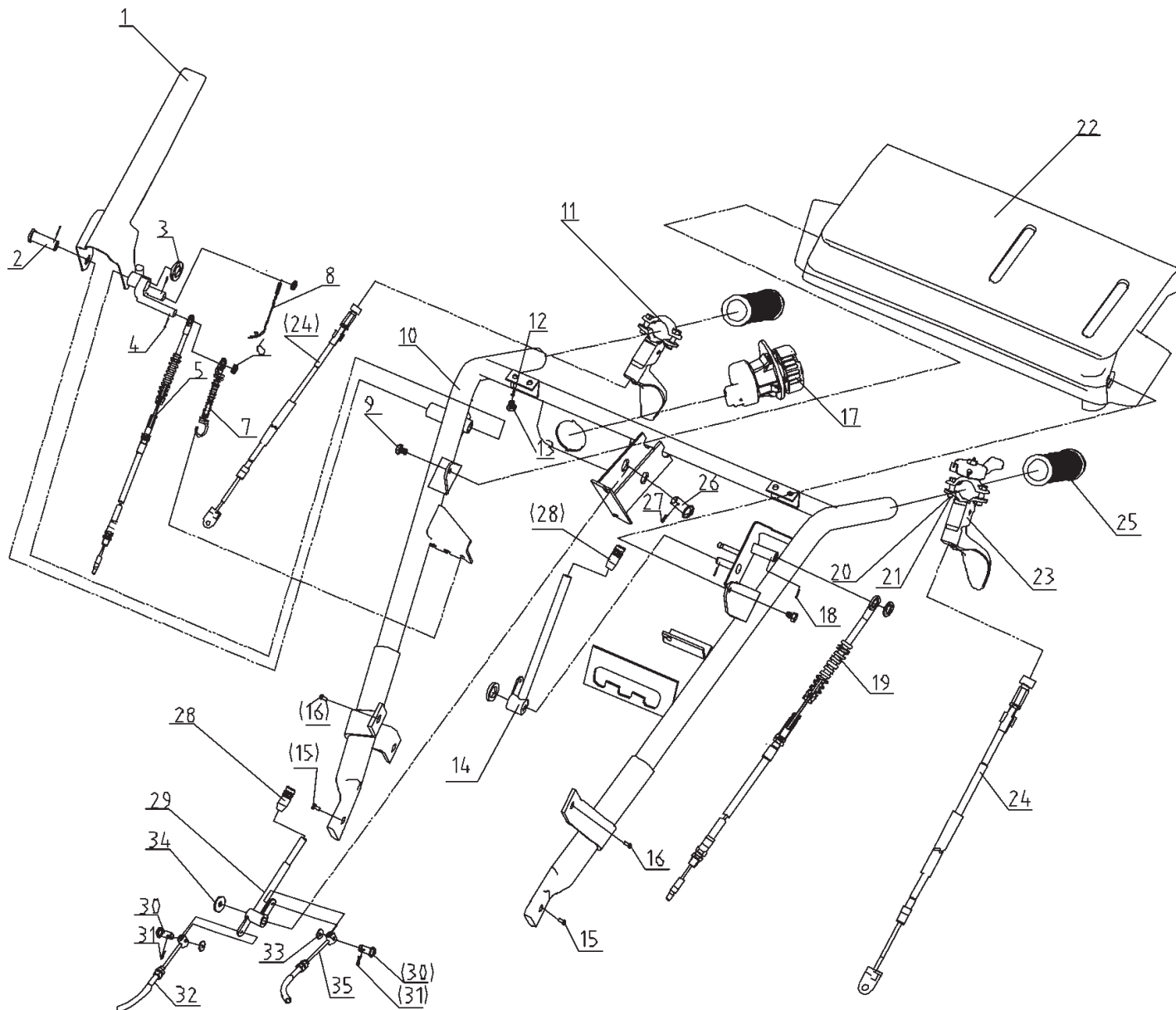
KGFC350-a-030000000 (Kohler) engine assembly



KGFC350-a-030000000 (Kohler) engine assembly

No.	Part No.	Description	Qty.	No.	Part No.	Description	Qty.
1		Kohler engine	1	22	GB/T859-1987	Washer 8	8
2	KGFC500-030000005	A style V belt	2	23	GB/T16674-1986	Bolt M6*12	1
3	KGFC500-030000003(Kohle)	Driving pulley	1				
4	KGFC500-030000005(Kohle)	Stop washer	1				
5	KGFC500-030301000	Washer 8	1				
6	5/16-24UNFx1	Bolt	1				
7	GB/T893.1-1986	Retainer ring 32	1				
8	GB/T894.8-1986	Retainer ring 15	1				
9	GB/T275-4-1994	Bearing 16002	2				
10	KGFC500-030300002	Gasket	1				
11	KGFC500-030000001a	Roller	1				
12	6.22.017	Limited post weldment 2	1				
13	KGFC500-030301000	Support plate of clutch	1				
14	KGFC500-030000002	Torsional spring	1				
15	KGFC500-030200000	Mounting plate of main shaft	1				
16	GB/T5789-2000	Bolt M8*16	8				
17	KGFC500-030100000	Mounting plate of engine	1				
18	GB/T6177.1-2000	Nut M8	4				
19	KGFC500-a-030000001	A style V belt	1				
20	KGFC500-030000006(Kohle)	Fixing nut of throttle cable	1				
21	GB/T818-2000	Screw M4*8	1				

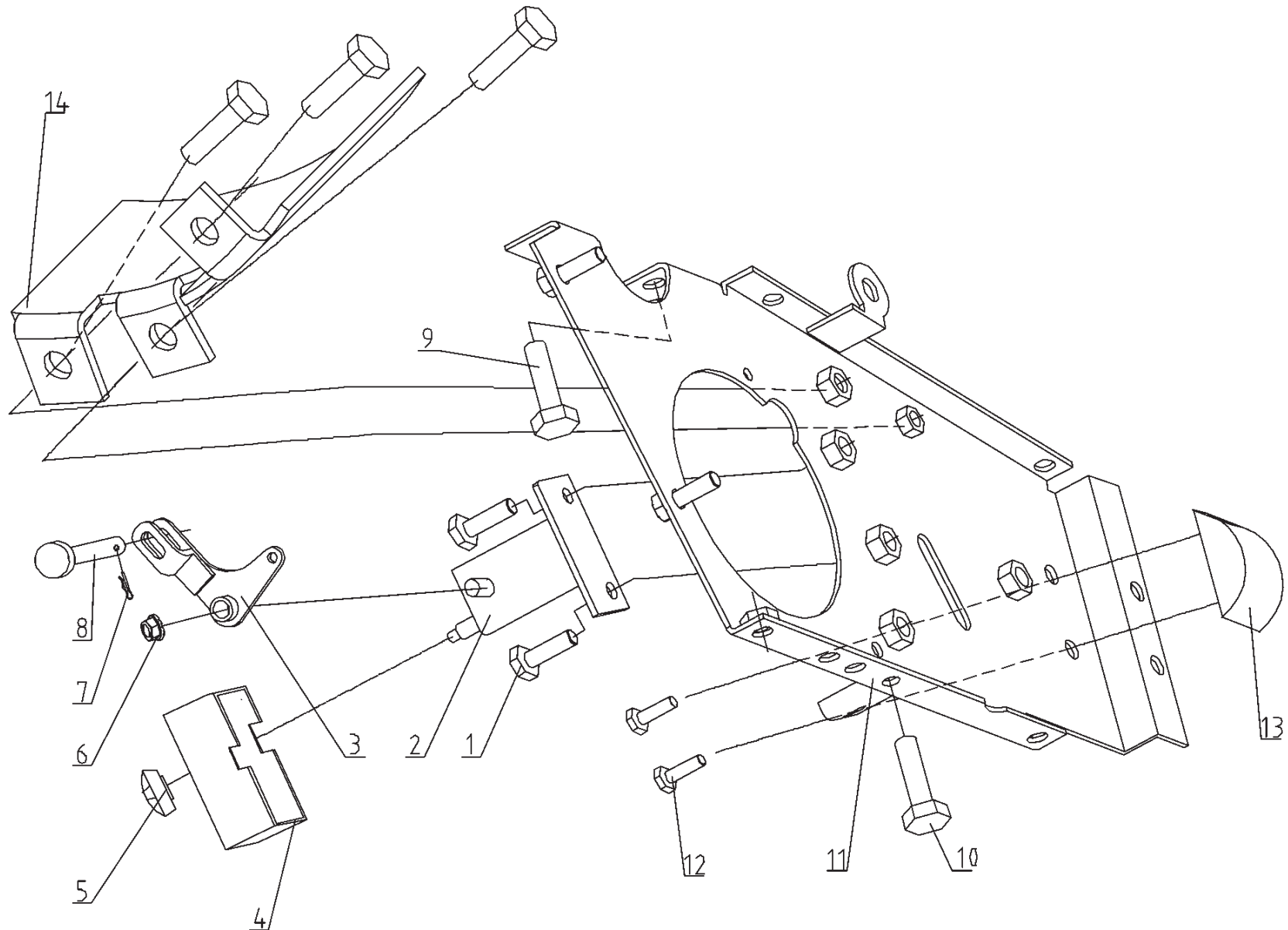
KGFC350-a-040000000 Handle frame assembly



KGFC350-a-04000000 Handle frame assembly

No.	Part No.	Description	Qty.	No.	Part No.	Description	Qty.
1	KGFC500-a-040200000	Rotating shaft	1	22	KGFC500-040000001	Panel	1
2	GB/T886-1986	B type pin shaft 12*95	1	23	6.40.013	Left steering handle and throttle switch assembly	
3	GB/T97.1-2002	Gasket 12	1	24	KGFC500-040400000	Steering soft shaft	2
4	GB/T91-2000	Cotter pin 3.2*25	3	25	6.40-101	Handle frame casing	2
5	KGFC500-040700000	Clutch cable soft shaft assembly	1	26	GB/T882-1986	B type pin shaft 12*5.5	1
6	GB/T97.1-2002	Plain washer 10	4	27	GB/T91-2000	Cotter pin 3.2*25	1
7	KGFC500-040000002	Long tension spring	1	28	6.40.018-102	Handle sleeve	1
8	KGFC500-040500000	Brake soft shaft assembly	1	29	KGFC500-040601000	Fast/Low shifting handle	1
9	GB/T5789-1986	Bolt M6*12	2	30	GB/T882-1986	B type pin shaft 6*16	2
10	KGFC500-a-040100000	Handle frame weldment	1	31	GB/T91-2000	Cotter pin 1.6*18	2
11	6.40.014	Right steering handle assembly	1	32	KGFC500-049000000	Right speed change soft shaft	1
12	GB/T97.1-2002	GB/T97.1-2002	2	33	GB/T97.1-2002	Gasket 6	2
13	GB/T5783-2000	Bolt M5*10	2	34	GB/T97.1-2002	Gasket 12	1
14	KGFC500-a-040300000	Shifting handle	1	35	KGFC500-041000000	Left speed change soft shaft	1
15	GB/T5789-1986	Bolt M10*25	2				
16	GB/T5789-1986	Bolt M10*20	3				
17	KGT510.09.016	Emergency stop switch	1				
18	GB/T882-1986	B type pin shaft 6*16	1				
19	KGFC500-040800000	Shifting soft shaft assembly	1				
20	GB/T6170-2000	Nut M6	4				
21	GB/T5181-2000	Bolt M6*25	4				

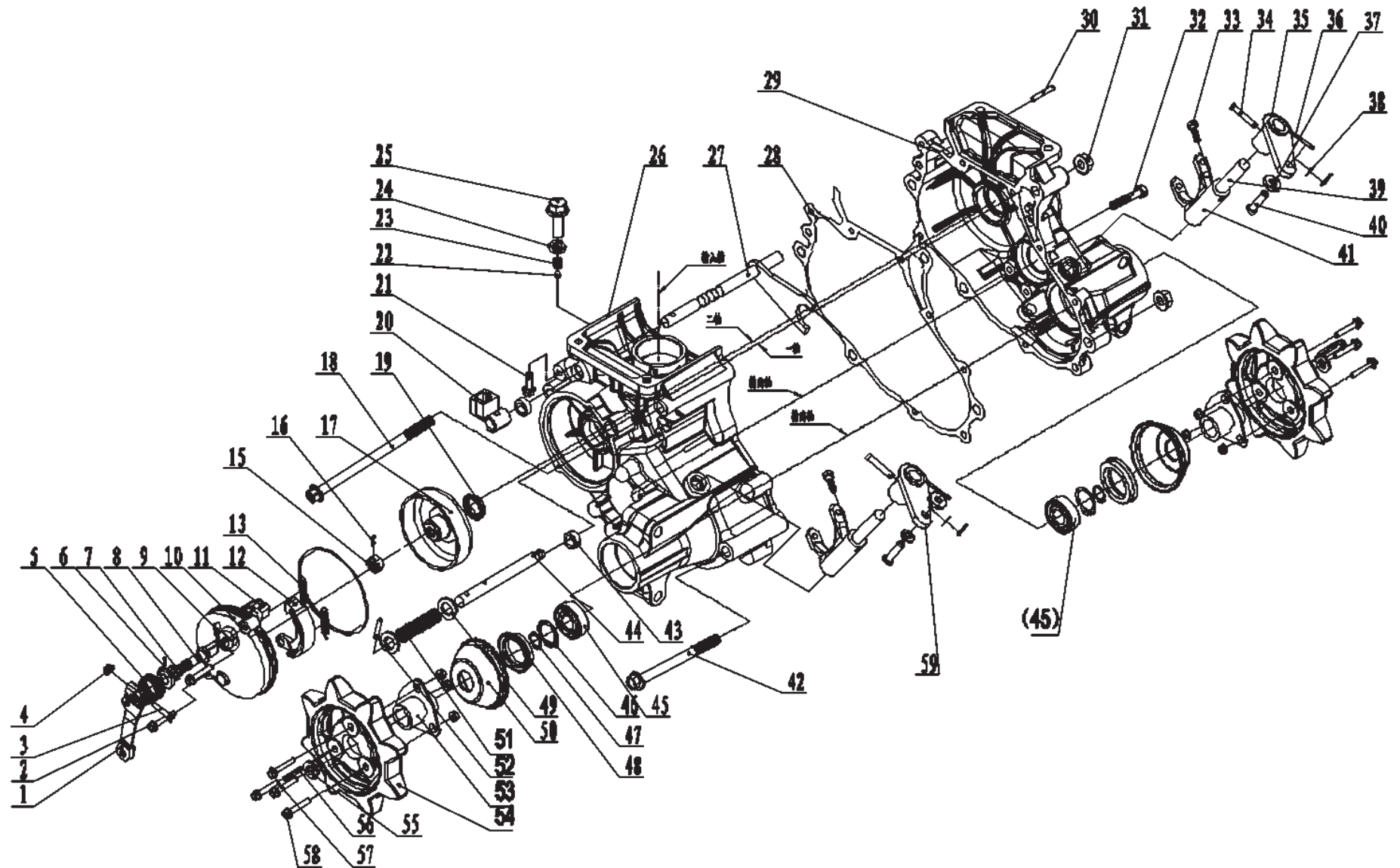
KGFC350-a-050000000 Left side plate assembly



KGFC350-a-050000000 Left side plate assembly

No.	Part No.	Description	Qty.	No.	Part No.	Description	Qty.
1	GB/T5789-1986	Bolt M8*16	5				
2	KGFC500-050500000	Forward/backward support weldment	1				
3	KGFC500-050600000	Forward/backward fork weldment	1				
4	KGFC500-050000003	Cover plate	1				
5	6.22.014	"Rotary knob switch"	1				
6	GB/T6170-2000	Nut M8	1				
7	QC-T623-1999	Lock pin Q50106	1				
8	GB/T882-1986	B type pin shaft 6*25	1				
9	GB/T5789-1986	Bolt M10*65	2				
10	GB/T907.17-1988	Bolt M8*20	2				
11	KGFC500-a-050100000	Left side plate	1				
12	GB/T5789-1986	Bolt M6*12	2				
13	KGFC500-050000001	Left belt baffle plate	1				
14	KGFC500-050000002	Left fender	1				

KGFC350-a-060000000 Drive axle assembly 1



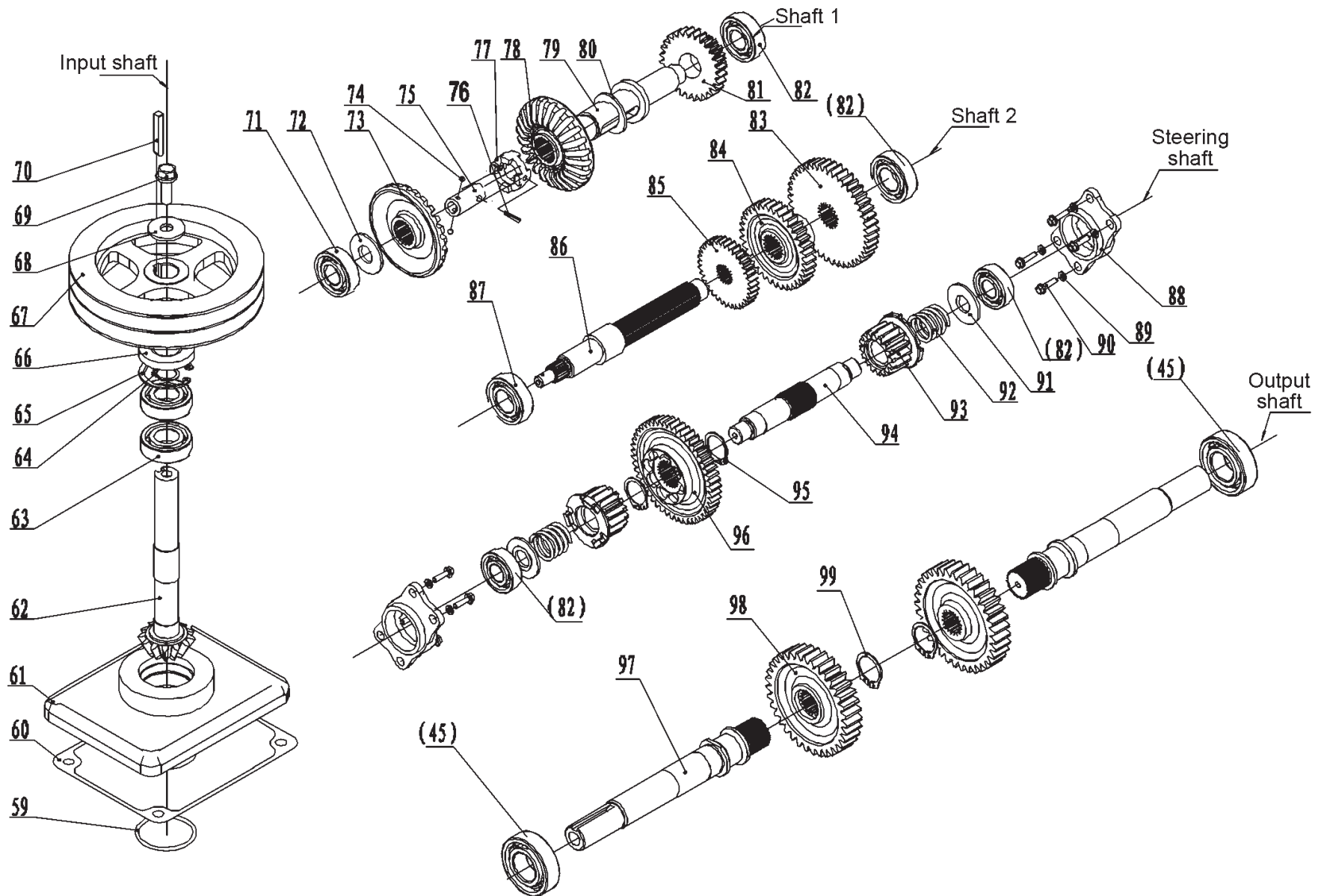
KGFC350-a-06000000 Drive axle assembly 1

No.	Part No.	Description	Qty.	No.	Part No.	Description	Qty.
1	KGFC500-060300007	Connecting plate	1	22	GB/T308-1984	Steel ball φ8	2
2	GB/T16674.1-2004	Bolt M5*30	2	23	6.37-143A	Guide spring of fork	2
3	GB/T5783-2000	Bolt M5*25	1	24	GB/T6172.1-2000	Nut M10	2
4	GB/T6177.1-2000	Nut M5	1	25	GB/T5783-2000	Bolt M10*35	2
5	KGFC500-060300002	Torsional spring	1	26	KGFC500-060000004	Left housing of transmission box	1
6	KGFC500-060300001	Washer 10	1	27	KGFC500-060900000	Fast/Low shifting fork	1
7	KGFC500-060300003	Seal ring 9*16*2.5	1	28	KGFC500-060000018	Paper gasket of left & right housing	1
8	KGFC500-060300004	Brake shaft	1	29	RGFC500-060000008	Right housing of transmission box	1
9	KGFC500-060300008	Fixing plate of torsional spring	1	30	RGFC500-060000020	Hollow pin	2
10	KGFC500-060300005	Brake parts cover	1	31	GB/T6177.1-2000	Nut M10	10
11	KGFC500-060301000	Bond part 1 of brake friction blade	1	32	GB/T5789-1986	Bolt M6*30	6
12	KGFC500-060302000	Bond part 2 of brake friction blade	1	33	GB/T5789-1986	Bolt M5*20	2
13	KGFC500-060300006	Brake tension spring	2	34	GB/T882-1986	Pin shaft 5*26	2
14	GB/T3452.1-2005	O ring 97.5*1.8	1	35	KGFC500-060701000	Right steering handle	1
15	GB/T9459-1988	Thin nut M10*1	1	36	GB/T91-2000	Pin 2*20	4
16	GB/T91-2000	Pin 2*20	1	37	GB/T97.3-2000	Washer 6	2
17	KGFC500-060400000	Brake drum	1	38	GB/T97.3-2000	Washer 5	2
18	GB/T5789-1986	Bolt M10*160	1	39	KGFC500-060009009	Fork shaft	2
19	GB/T9877.1-1988	Oil seal FB20*30*7	1	40	GB/T882-1986	Pin shaft 6*22	2
20	KGFC500-060901000	Fast/Low shifting block	1	41	KGFC500-060000006	Fork	2
21	GB/T5783-2000	Bolt M8*30	4	42	GB/T5789-1986	Bolt M10*120	3

KGFC350-a-060000000 Drive axle assembly 1

No.	Part No.	Description	Qty.	No.	Part No.	Description	Qty.
43	GB/T9877.1-1988	RB 12*18*5	4				
44	KGFC500-060200001	Backward fork shaft	1				
45	GB/T276-1994	Bearing 6205	4				
46	GB/T893.1-1986	Retainer ring 52	2				
47	GB/T894.1-1986	Retainer ring 25	2				
48	KGFC500-060000003	Oil seal	2				
49	GB/T97.1-2002	Washer 12	2				
50	KGFC500-060000002	End cover of output shaft	2				
51	KGFC500-060200011	Backward fork shaft spring	1				
52	GB/T879.4-2000	Pin 4*25	1				
53	KGFC500-060500000	Connecting seat of driving pulley	2				
54	KGFC500-060000001	Driving pulley	2				
55	GB/T96.1-2002	Washer 10	2				
56	GB/T1096-1979	B type plain key 5*35	2				
57	GB/T5789-1986	Bolt M10*25	2				
58	GB/T5789-1986	Bolt M10*35	6				
59	KGFC500-060801000	Left steering handle	1				

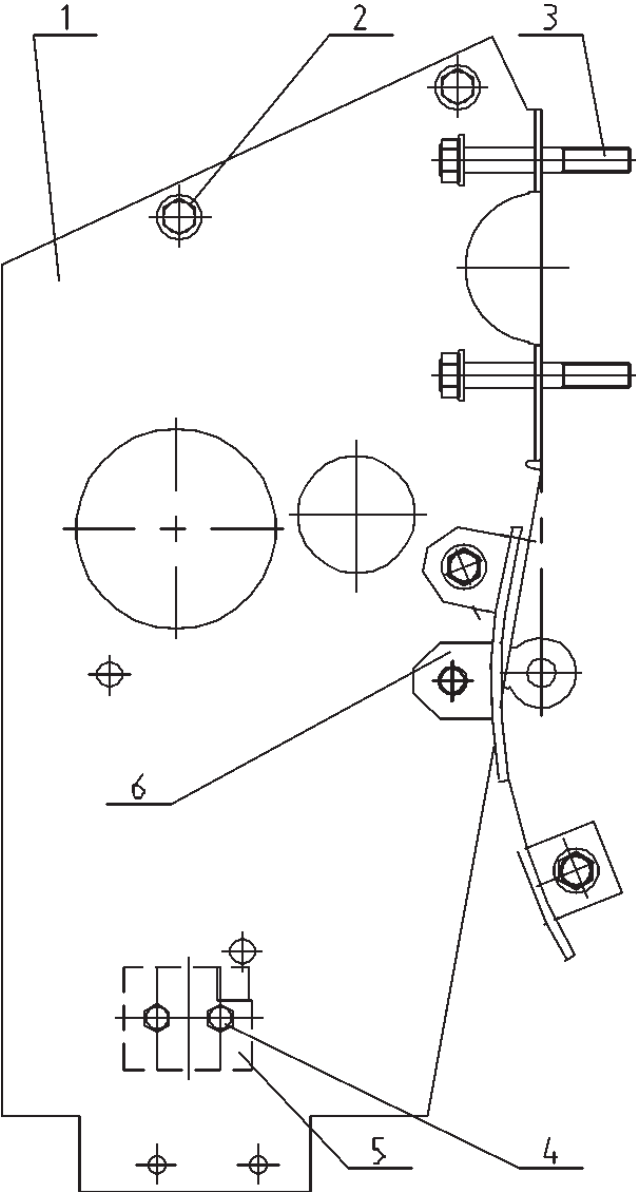
KGFC350-a-060000000 Drive axle assembly 2



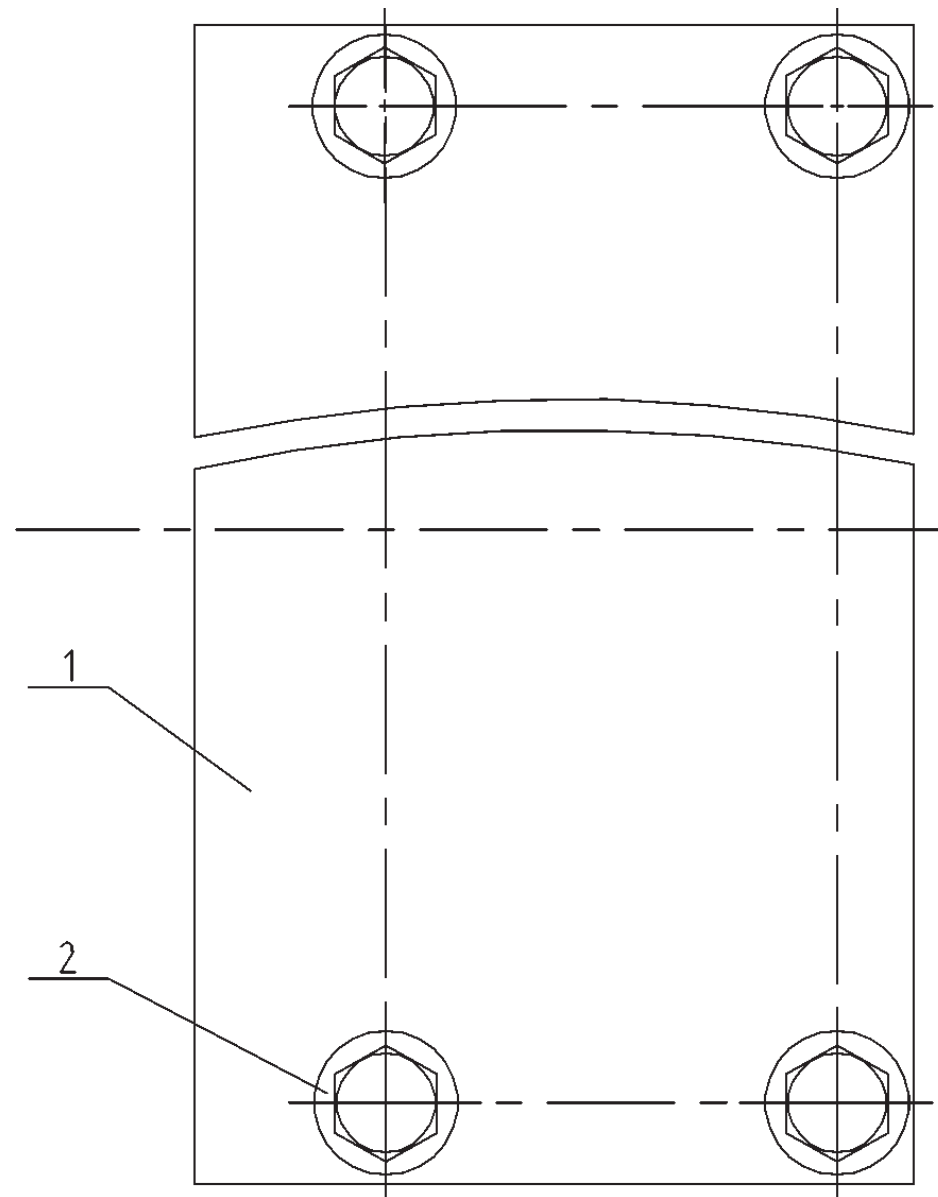
KGFC350-a-06000000 Drive axle assembly 2

No.	Part No.	Description	Qty.	No.	Part No.	Description	Qty.
59	GB/T3452.1-1992	O ring 43.7*2.65	1	80	KGFC500-060200006	Adjusting gasket	1
60	KGFC500-060000019	Paper gasket housing top cover	1	81	KGFC500-060200004	Variable gear of shaft 1	1
61	KGFC500-060100001	Top cover of housing	1	82	GB/T276-1994	Bearing 6203	4
62	KGFC500-060100002	Drive gear	1	83	KGFC500-060000012	Low gear of shaft 2	1
63	GB/T276-1994	Bearing 6004	2	84	KGFC500-060000013	Fast gear of shaft 2	1
64	GB/T894.1-1986	Retainer ring 20	1	85	KGFC500-060000014	Driving gear of shaft 2	1
65	GB/T893.1-1986	Retainer ring 42	1	86	KGFC500-060000011	Shaft 2	1
66	GB/T13871-1992	Oil seal FB20*45*7	1	87	GB/T276-1994	Bearing 6004	1
67	KGFC500-060100003a	Driven belt pulley	1	88	KGFC500-060000010	Bearing seat	2
68	GB/T96.1-2002	Washer 6	1	89	GB/T9074.27-1988	Washer 6	8
69	GB/T5789-1986	Bolt M6*25	1	90	GB/T5789-1986	Bolt M6*25	8
70	GB/T1096-1979	Key B6*35	1	91	KGFC500-060600002	Gasket	2
71	GB/T276-1994	Bearing 60/22	1	92	KGFC500-060600003	Steering spring	2
72	KGFC500-060200009	Gear washer of shaft 1 (as required)	1	93	KGFC500-060600004	Steering gear	2
73	KGFC500-060200002	Forward bevel gear of shaft 1	2	94	IGFC500-060600001	Steering shaft	1
74	GB/T308-1984	Steel ball φ4	2	95	GB/T894.1-1986	Retainer ring 25	2
75	KGFC500-060200010	Shift block base	1	96	KGFC500-060600005	Center gear of steering shaft	1
76	GB/T879.2-2000	Pin 5*35	1	97	KGFC500-060000005	Output shaft	2
77	KGFC500-060200005	Sliding sleeve of shaft 1	1	98	IGFC500-060000007	Output shaft gear	2
78	KGFC500-060200007	Reverse bevel gear of shaft 1	1	99	GB/T894.1-1986	Retainer ring 25	2
79	KGFC500-060200003	Shaft 1	1				

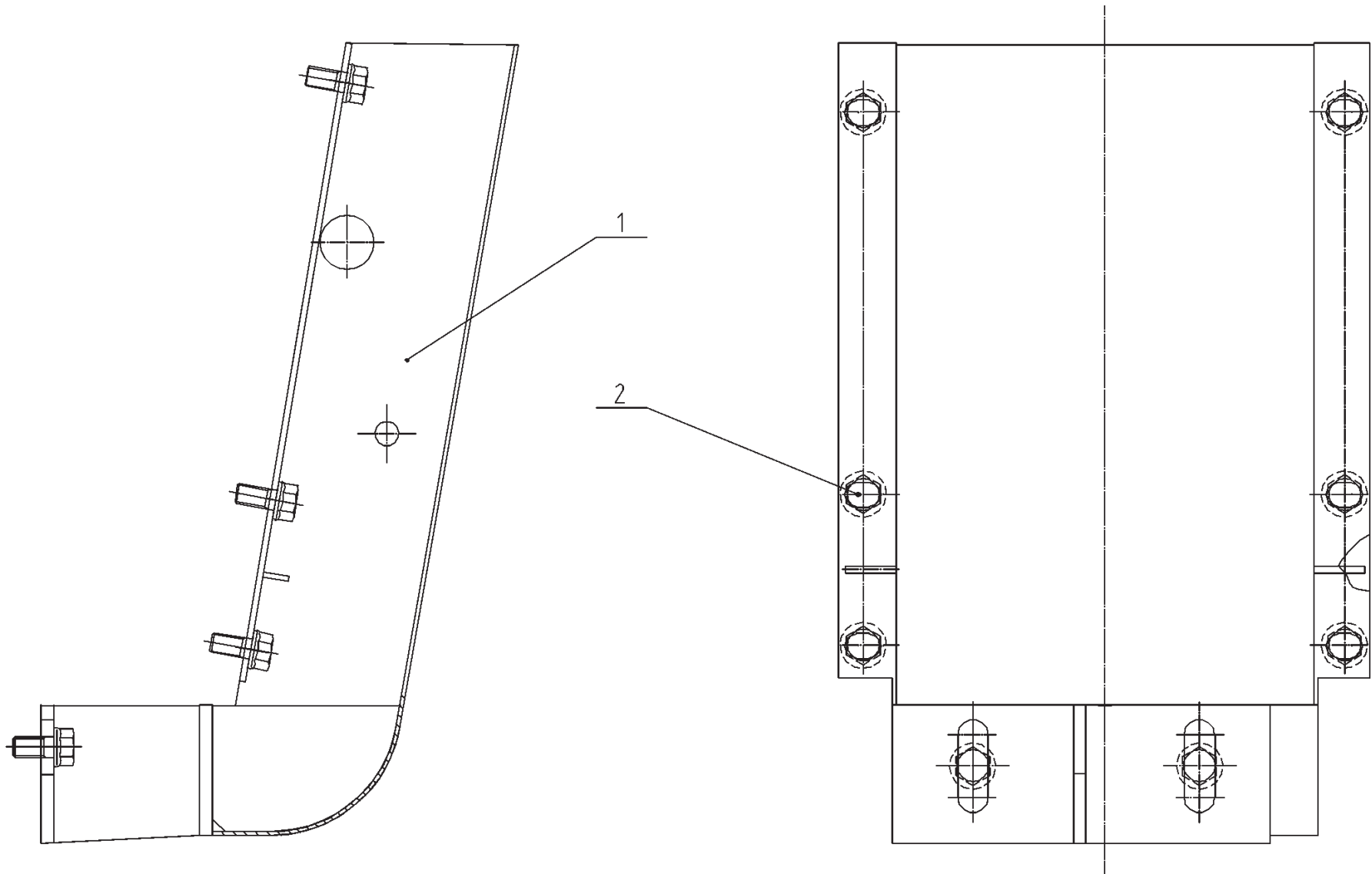
KGFC350-a-070000000 Right side plate



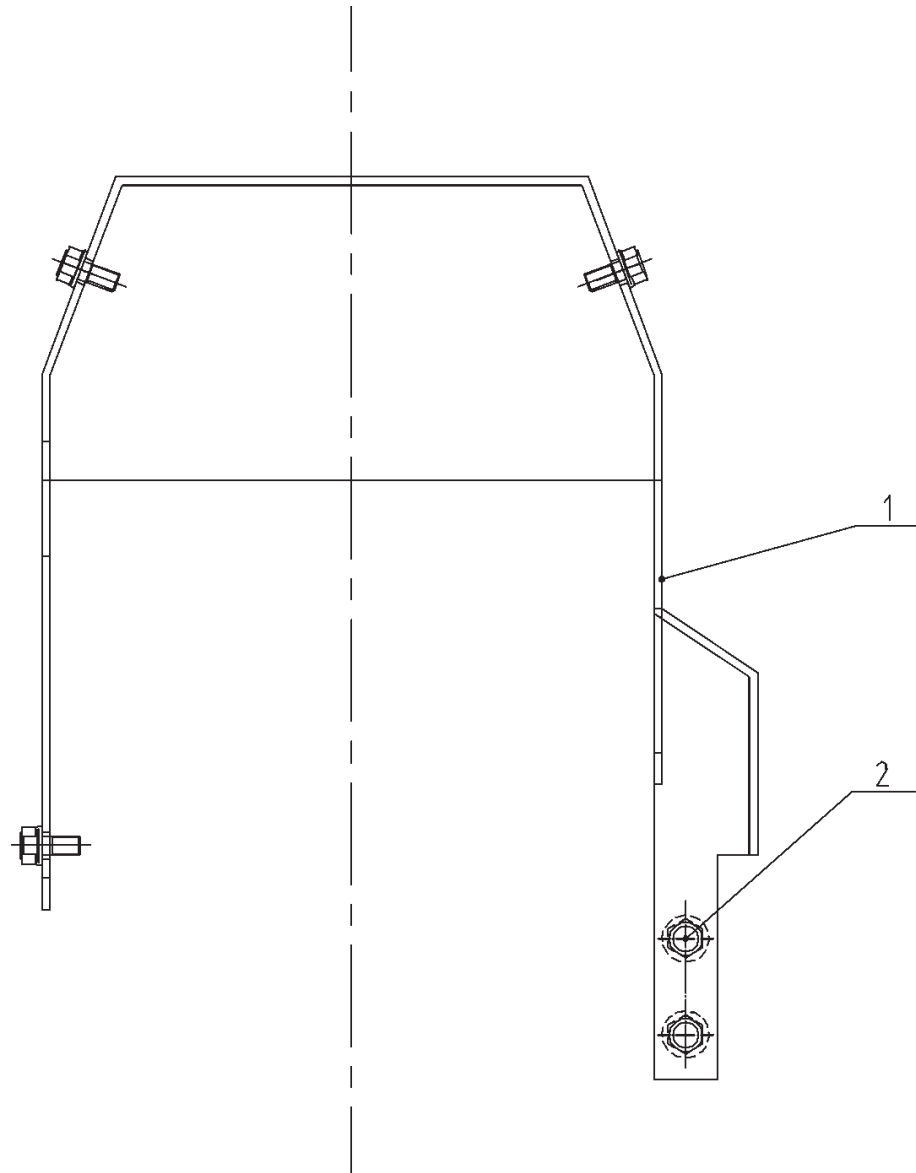
KGFC350-a-080000000 Cover plate supporter assembly



KGFC350-a-09000000 Base plate



KGFC350-a-100000000 Rear cover plate assembly



KGFC350-a-11000000 Hydraulic system assembly

