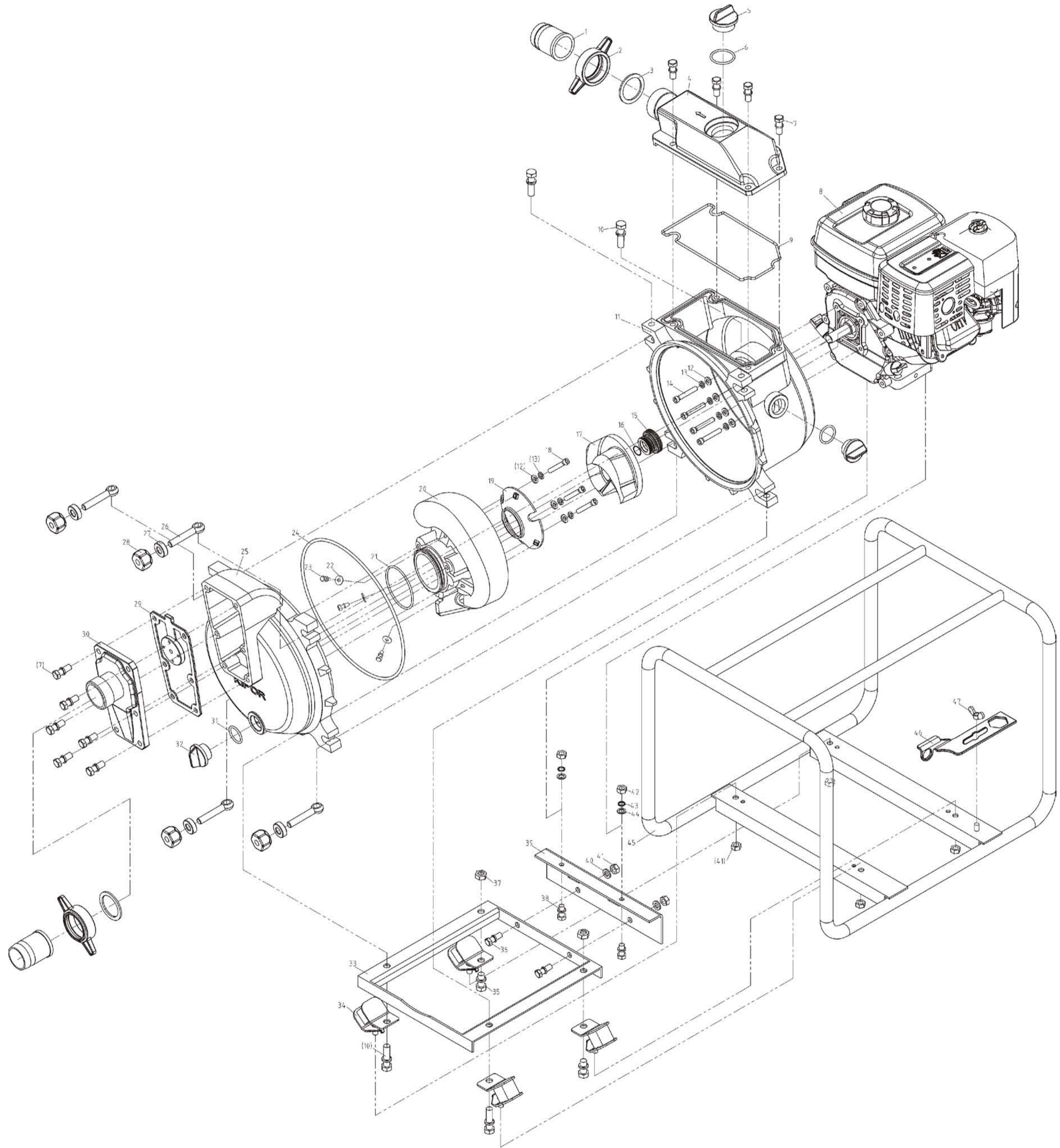


# ASSEMBLY AND PARTS ALBUM

## KGP20T



No.	Part.No	Description	Qty.	No.	Part.No	Description	Qty.	No.	Part.No	Description	Qty.	No.	Part.No	Description	Qty.
1	KGP20T-01009	2" water inlet/outlet pipe	2	14	GB/T70.1-2000	Screw M8*55(stainless)	4	27	KGP20T-01017	Gasket for 2" eyelet bolt	4	40	GB/T97.1-2002	Washer 10	2
2	KGP20T-01006	2" locking nut	2	15	KGP20T-01100	2" mechanical seal kits	1	28	KGP20T-01014	Locking nut for 2" pump	4	41	GB/T6172.1-2000	Nut M10	6
3	KGP20T-01007	2" rubber seal gasket	2	16	KGP20T-01005	Adjusting gasket for 2" impellor	3	29	KGP20T-01300	2" flap valve	1	42	GB/T6172.1-2000	Nut M8	2
4	KGP20T-01012	2" water outlet seat	1	17	KGP20T-01004	2" impellor	1	30	KGP20T-01010	2" water inlet seat	1	43	GB/T93-1987	Washer 8	2
5	KGP20T-01013	2" plug screw for water outlet seat	1	18	GB/T70.1-2000	Screw M8*35(stainless)	3	31	GB/T3452.1-2005	O ring 31.5X3.55	2	44	GB/T95-2002	Washer 8	2
6	GB/T3452.1-2005	O ring 41.2X3.55	1	19	KGP20T-01200	Shaped gasket	1	32	KGP20T-01016	2" pump cover plug screw	2	45	KGP20T-03100	2" frame	1
7	GB/T9074.15-1988	Bolt M10X30	10	20	KGP20T-01003	2" Fluid director	1	33	KGP20T-03200	2" bottom base	1	46	KGP20T-03001	Wrench for 2" sewage pump	1
8	KGP20T-02000	KG200P(3)T engine assembly	1	21	GB/T3452.1-2005	O ring 80X3.55	1	34	KGP20T-04000	2" Shock absorber assembly	4	47	GB/T62.1-2004	Nut M8	1
9	KGP20T-01008	2" seal ring	1	22	GB/T5287-2002	Washer 6(stainless)	3	35	GB/T9074.15-1988	Bolt M12X20	2	48			
10	GB/T9074.15-1988	Bolt M12X50	4	23	GB/T9074.15-1988	Bolt M6*16(stainless)	3	36	GB/T9074.15-1988	Bolt M10X20	2	49			
11	KGP20T-01002	2" pump	1	24	GB/T3452.1-2005	O ring 290X5.3	1	37	GB/T6172.1-2000	Nut M12	2	50			
12	GB/T95-2002	Washer 8 (stainless)	7	25	KGP20T-01001	2" pump cover	1	38	GB/T9074.15-1988	Bolt M8X35	2	51			
13	GB/T93-1987	Washer 8 (stainless)	7	26	KGP20T-01015	2" eyelet bolt	4	39	KGP20T-03300	2" Engine supporting weldment	1	52			