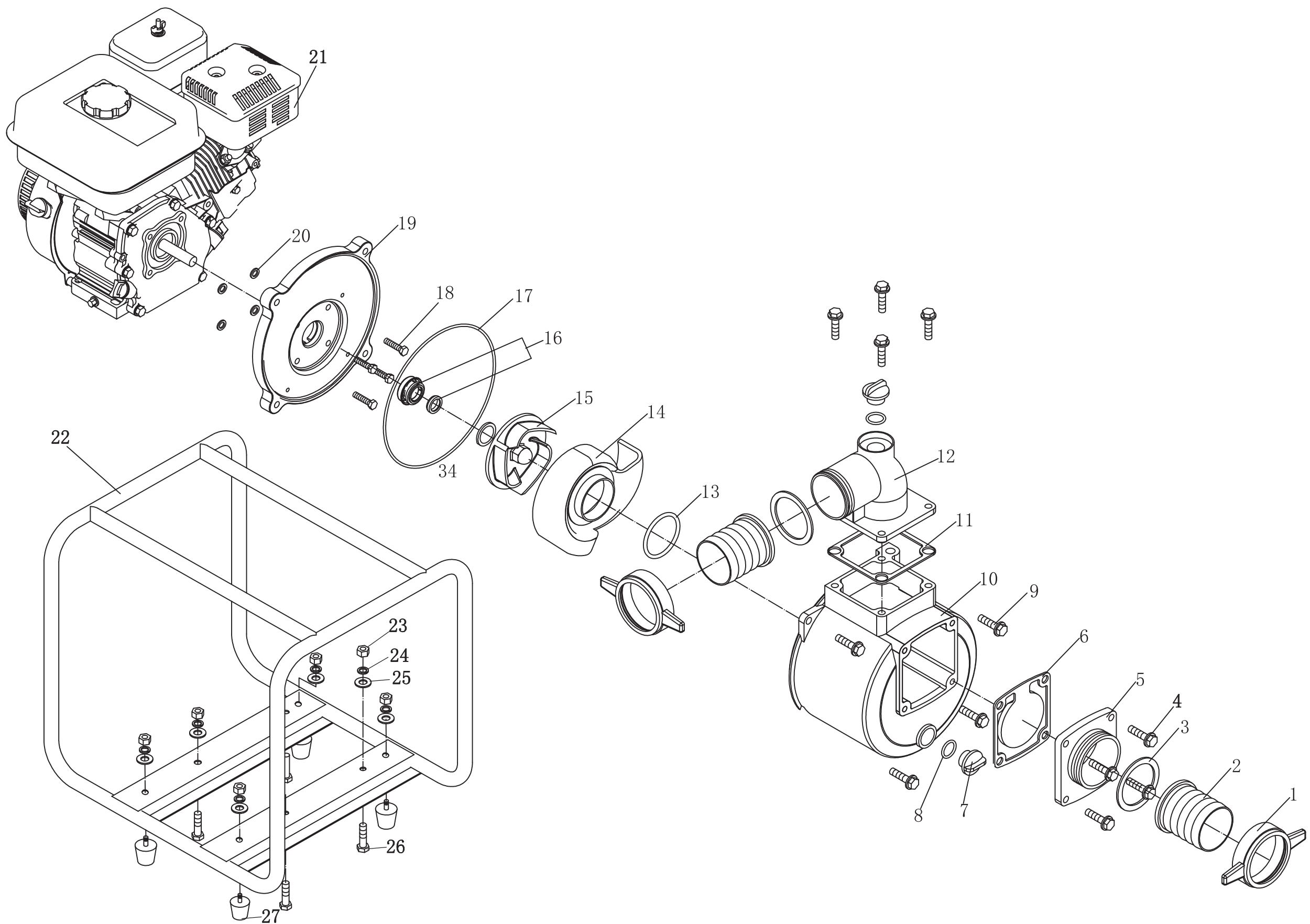


ASSEMBLY AND PARTS LIST

KGP40



No.	Part.No	Description	Qty.	No.	Part.No	Description	Qty.	No.	Part.No	Description	Qty.
1	KP40-b-00007	Lock nut	2	18	GB/T5789-2000	Bolt M8×45	4				
2	KP40-b-00009	Water pipe connector	2	19	KP40-b-00001	Pump cover	1				
3	KP40-b-00008	Connector gasket of inlet/outlet water pipe	2	20	KP20-b-00013	Seal washer	4				
4	GB/T5789-2000	Bolt M10×25	4	21	KG280P-00000	KG280P gasoline engine	1				
5	KP40-b-00011	Water inlet seat	1	22	KGP40-a-03000	Body frame welded	1				
6	KP40-b-02000	Flap valve	1	23	GB/T6170-2000	Nut M10	8				
7	KP20-b-00012	Screw	2	24	GB/T93-1987	Spring washer 10	8				
8	GB/T3452.1-2005	O ring 23.6×3.55	2	25	GB/T97.1-2002	Plain washer 10	8				
9	GB/T5789-2000	Bolt M10×30	8	26	GB/T5783-2000	Bolt M10×40	4				
10	KP40-b-00002	Pump	1	27	KGP20-04000	"Shock absorber"	4				
11	KP40-b-00006	Water outlet seat gasket	1	28							
12	KP40-b-00005	Water outlet seat	1	29							
13	GB/T3452.1-2005	O ring 96×6	1	30							
14	KP40-b-00004	Diverter	1	31							
15	KP40-b-00003	"Impeller"	1	32							
16	KP40-b-01000	Mechanical seal components	1	33							
17	GB/T3452.1-2005	O ring 250×3.5	1	34							