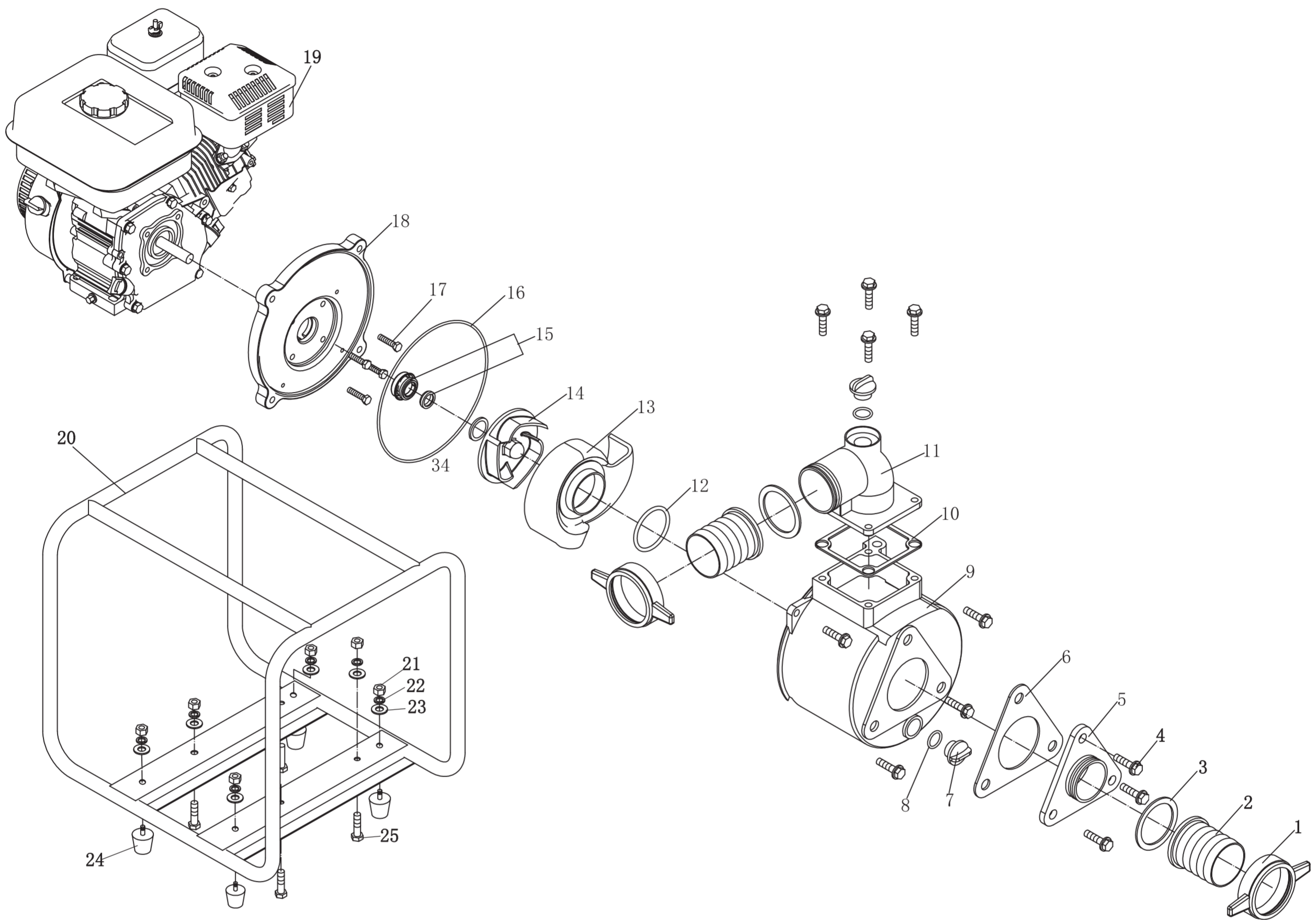


ASSEMBLY AND PARTS LIST

KGP20



No.	Part.No	Description	Qty.	No.	Part.No	Description	Qty.	No.	Part.No	Description	Qty.
1	KP20-b-00007	Lock nut	2	18	KP20-b-00001	Pump cover	1				
2	KP20-b-00009	Water pipe connector	2	19	KG160W-00000	KG160W gasoline engine	1				
3	KP20-b-00008	Connector gasket of inlet/outlet water pipe	2	20	KGP30-03000a	Body frame welded	1				
4	GB/T5789-2000	Bolt M8×25	11	21	GB/T6170-2000	"Nut M8"	8				
5	KP20-b-00011	Water inlet seat	1	22	GB/T93-1987	Spring washer 8	8				
6	KP20-b-02000	Flap valve	1	23	GB/T97. 1-2002	Plain washer 8	8				
7	KP20-b-00012	Screw	2	24	KGP20-04000	"Shock absorber"	4				
8	GB/T3452. 1-2005	O ring 23.6×3.55	2	25	GB/T5783-2000	Bolt M8×35	4				
9	KP20-b-00002	Pump	1	26							
10	KP20-b-00006	Gasket of water outlet seat	1	27							
11	KP20-b-00005	Water outlet seat	1	28							
12	GB/T3452. 1-2005	O ring 53×7.0	1	29							
13	KP20-b-00004	Diverter	1	30							
14	KP20-b-00003	"Impeller"	1	31							
15	KP20-b-01000	Mechanical seal components	1	32							
16	GB/T3452. 1-2005	O ring 196×4.0	1	33							
17	GB/T5783-2000	Bolt M8×45	4	34							