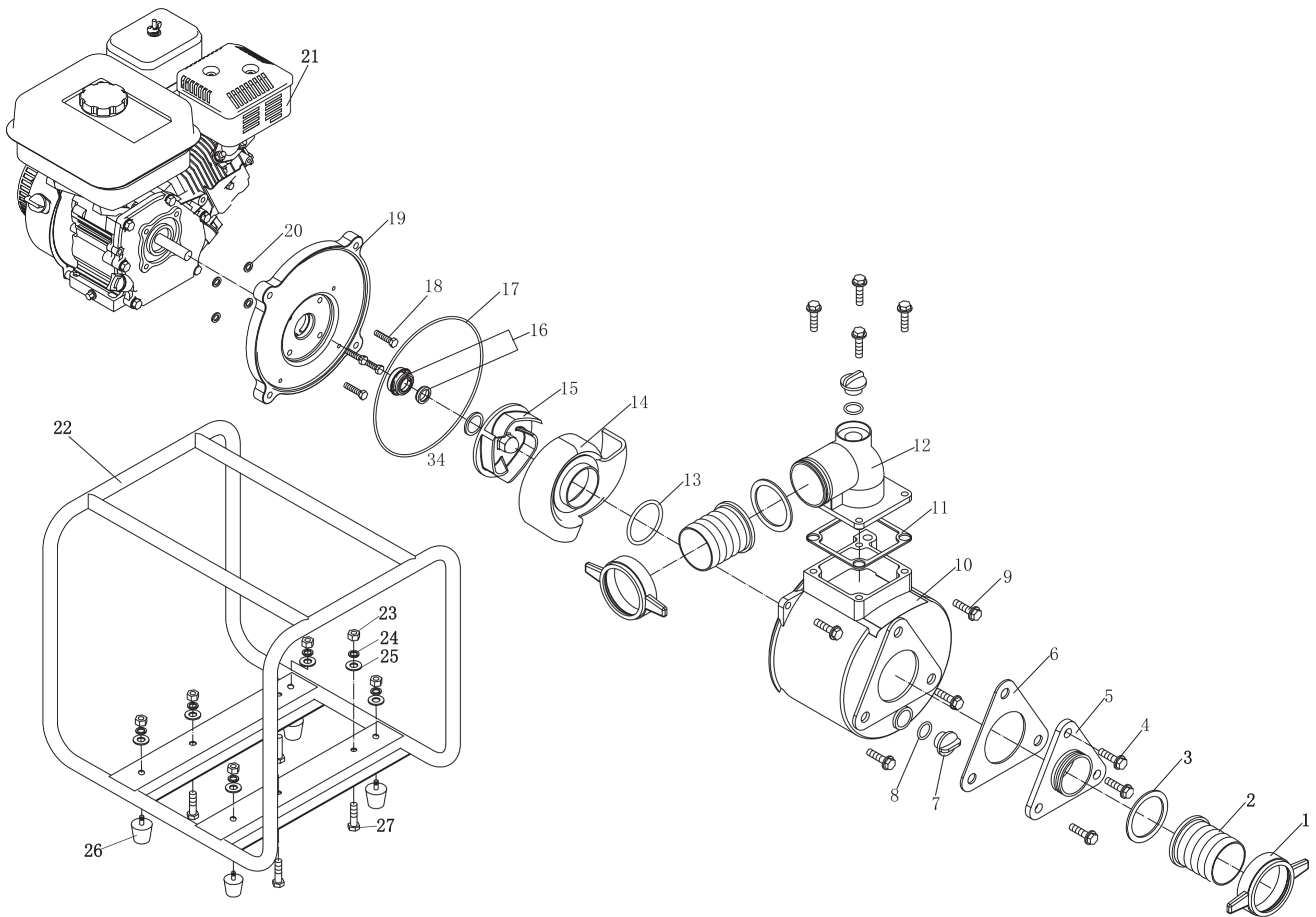


ASSEMBLY AND PARTS LIST

KGP30



No.	Part.No	Description	Qty.	No.	Part.No	Description	Qty.	No.	Part.No	Description	Qty.
1	KP30-b-00007	Lock nut	2	18	GB/T5783-2000	Bolt M8×45	4				
2	KP30-b-00009	Water pipe connector	2	19	KP30-b-00001	Pump cover	1				
3	KP30-b-00008	Connector gasket of inlet/outlet water pipe	2	20	KP20-b-00013	Seal washer	4				
4	GB/T5789-2000	Bolt M10×20	3	21	KG200W-00000	KG200W gasoline engine	1				
5	KP30-b-00011	Water inlet seat	1	22	KGP30-03000a	Body frame welded	1				
6	KP30-b-02000	Flap valve	1	23	GB/T6170-2000	"Nut M8"	8				
7	KP30-b-00012	Screw	2	24	GB/T93-1987	Spring washer 8	8				
8	GB/T3452. 1-2005	O ring 23.6×3.55	2	25	GB/T97. 1-2002	Plain washer 8	8				
9	GB/T5789-2000	Bolt M10×25	8	26	KGP20-04000	"Shock absorber"	4				
10	KP30-b-00002	Pump	1	27	GB/T5783-2000	Bolt M8×35	4				
11	KP30-b-00006	Water outlet seat gasket	1	28							
12	KP30-b-00005	Water outlet seat	1	29							
13	GB/T3452. 1-2005	O ring 73×7.0	1	30							
14	KP30-b-00004	Diverter	1	31							
15	KP30-b-00003	"Impeller"	1	32							
16	KP30-b-01000	Mechanical seal components	1	33							
17	GB/T3452. 1-2005	O ring 220×4.0	1	34							