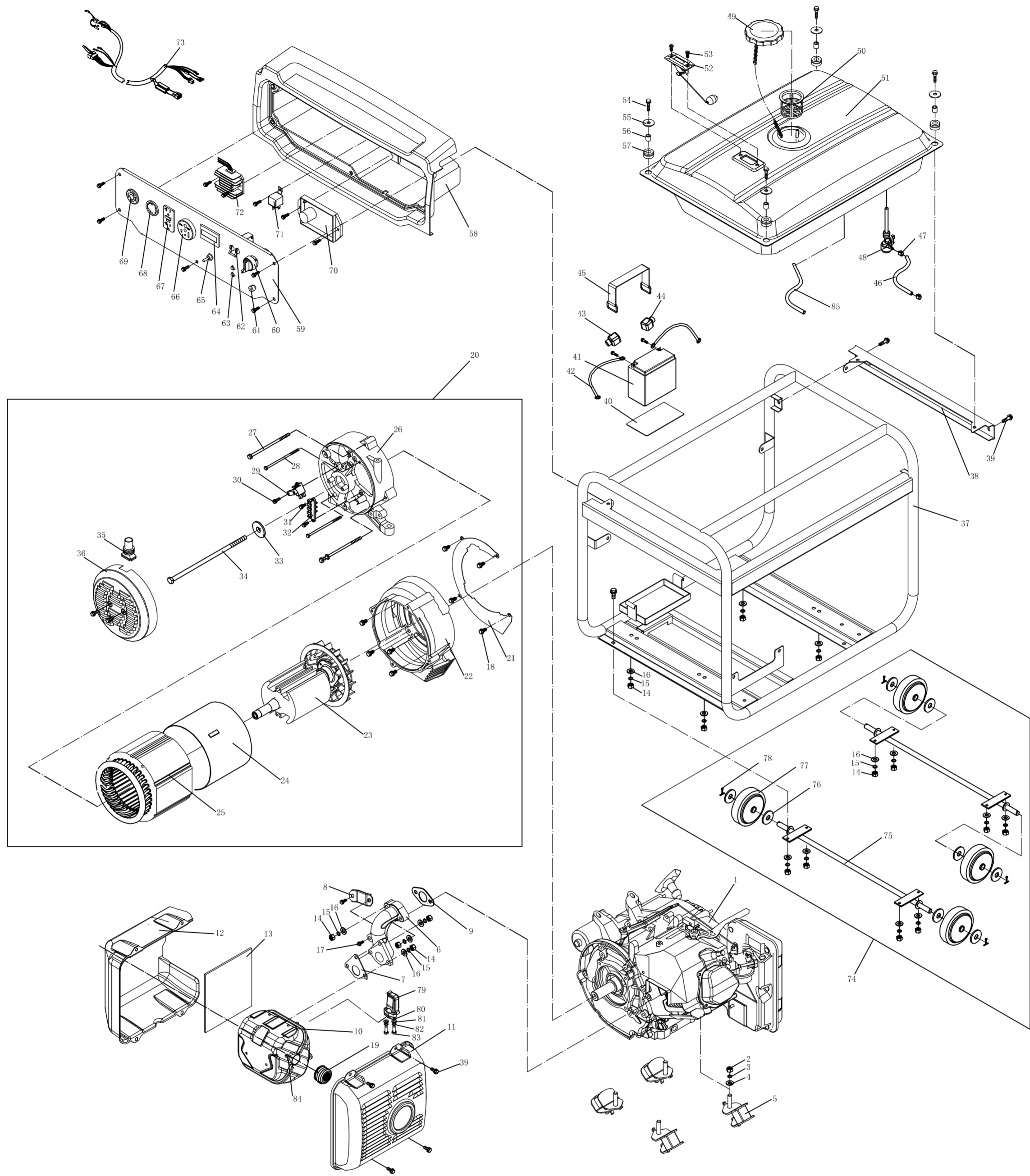


KGE6500ED(EPA) ASSEMBLE AND PARTS FIGURE



No.	Code.	Description	Qty.	No.	Code.	Description	Qty.	No.	Code.	Description	Qty.	No.	Code.	Description	Qty.
1	GK400GEX-1(EPA)	Gasoline engine	1	23	KT190-a-01000	Rotor assembly	1	45	KGE7000EC-17100	Battery fixing belt	1	67	RU-22	American siamese receptacle	1
2	GB/T6170-2000	Nut M10	4	24	KT190-a-00006	Generator guard plate	1	46	KGE6500ED-1100004(EPA)	Oil pipe	1	68	L5-30	American triplex receptacle	1
3	GB/T93-1987	Spring washer 10	1	25	KT190-a-02000	Stator assembly	1	47	KM168F-10013	Oil pipe clamp Ø9	2	69	L14-30	American quadruplex receptacle	1
4	GB/T97. 1-2002	Plain washer 10	4	26	KT190-00002	Rear end cover	1	48	KGE6500ED-1140000	Oil switch	1	70	eAVR50 V1.0	DVR	1
5	KGE5500T1-12100	Left shock pad	4	27	KT190-a-00007	Stator fastening bolt	4	49	KGE6500ED-1120000(EPA)	Oil tank cover	1	71	HVF4-2C-Z30a DC12V	Relay	1
6	KGE6500ED-1020001	Muffler angle pipe	1	28	KT190-a-00008	Connecting bolt of stator rear end cover	2	50	KGE5500E-11005A	Oil filling strainer	1	72	KI-CDQ-10AH	Charging regulator	1
7	KG240-08002	Muffler gasket	1	29	DI 04	Carbon brush	1	51	KGE6500ED-1110000(EPA)	Oil tank	1	73	KGE6500ED-13210	Harness assembly	1
8	KGE6500ED-1030000	Reinforced plate of muffler angle pipe	1	30	GB/T5789-1986	Bolt M5*16	1	52	KGE5500E-11300	Oil indicator assembly	1	74	KGE6500E	Axletree assembly (optional)	1
9	KG240-02015	Air exhaust pipe gasket	1	31	GB/T5789-1986	Bolt M5*20	5	53	GB/T819. 1-2000	Cross recessed countersunk flat head screw M5*10	2	75	KGE6500E-18100a	Axletree weldment	2
10	KG390-a-08100(EPA)	Muffler weldment	1	32	KT190-00010	Four post terminal block	1	54	GB/5789-1986	Hexagon flange bolts M6*25	4	76	GB/T97. 1-2002	Plain washer 12	8
11	KGE6500ED-1042001	Muffler shield 2	1	33	KT190-00004	Bolt gasket	1	55	GB/T96. 1-2002	Big plain washer 8	4	77	20-100-01	4" Polyester wheels Ø 100	4
12	KGE6500ED-1041000	Muffler shield 1	1	34	KT190-a-00005	Hexagon bolt	1	56	KGE5500E-11001	Height bush	4	78	GB/T91-2000	Split pin 3.2*40	4
13	KGE6500ED-1000001	Aluminum foil thermal insulation of muffler shield	1	35	KT190-00009	Wire protect jacket	1	57	KGE5500E-11002	Shock absorbing pad	4	79	KG105-b-08300	Secondary air supplement valve	1
14	GB/T6170-2000	Nut M8	6	36	KT190-00003	Rear hood	1	58	KGE6500ED-0900001	Panel rear hood	1	80	KG105-b-08301	Gasket of secondary air supplement valve	1
15	GB/T93-1987	Spring washer 8	6	37	KGE6500ED-0310000	Body frame weldment	1	59	KGE6500ED-13110	Instrument panel	1	81	GB/T97. 1-2002	Washer 6	2
16	GB/T97. 1-2002	Plain washer 8	6	38	KGE6500ED-0320000	Oil tank rail 3	1	60	JK425	Electric starter	1	82	GB/T93-1987	Washer 6	2
17	GB/T5789-1986	Bolt M6*16	1	39	GB/T5789-1986	Bolt M6*12	2	61	3GF-LE-5004a	Grounding nut	1	83	GB/T5781-2000	Bolt M6*12	2
18	GB/T5789-1986	Bolt M5*10	4	40	KGE6500E-a-17001	Battery backing board	1	62	BSB1-30 2P 30A	Breaker	1	84	GB/T845-1985	Screw ST4.2*13	1
19	KG390-08300	Spark arrester	1	41	12V/10Ah	Battery	1	63	98 Series 20A/30A	Overload protector	2	85	KGE6500ED-0100001(EPA)	Ventilation pipe of oil tank	1
20	KT-6/190	Alternator assembly	1	42	AWG8	Battery wire (one red, one black)	2	64	eAVR-DISP VI. 0	eAVR monitor	1	86			
21	KT190-a-00011	Air deflector	1	43	KGE7000T1-13306	Battery protect jacket (black)	1	65	KN25-302 25A/250V	Option switch	1	87			
22	KT190-a-00001	Front end cover	1	44	KGE7000T1-13305	Battery protect jacket (red)	1	66	50A 125V	American receptacle	1	88			

WUXI KIPOR POWER CO., LTD.

Beside Jingyi Rd, Third-stage Development Section of Wangzhuang Industry Area, Wuxi High & New Technology Industry Development Zone. TEL: 0086-510-85205041 FAX: 0086-510-85203796